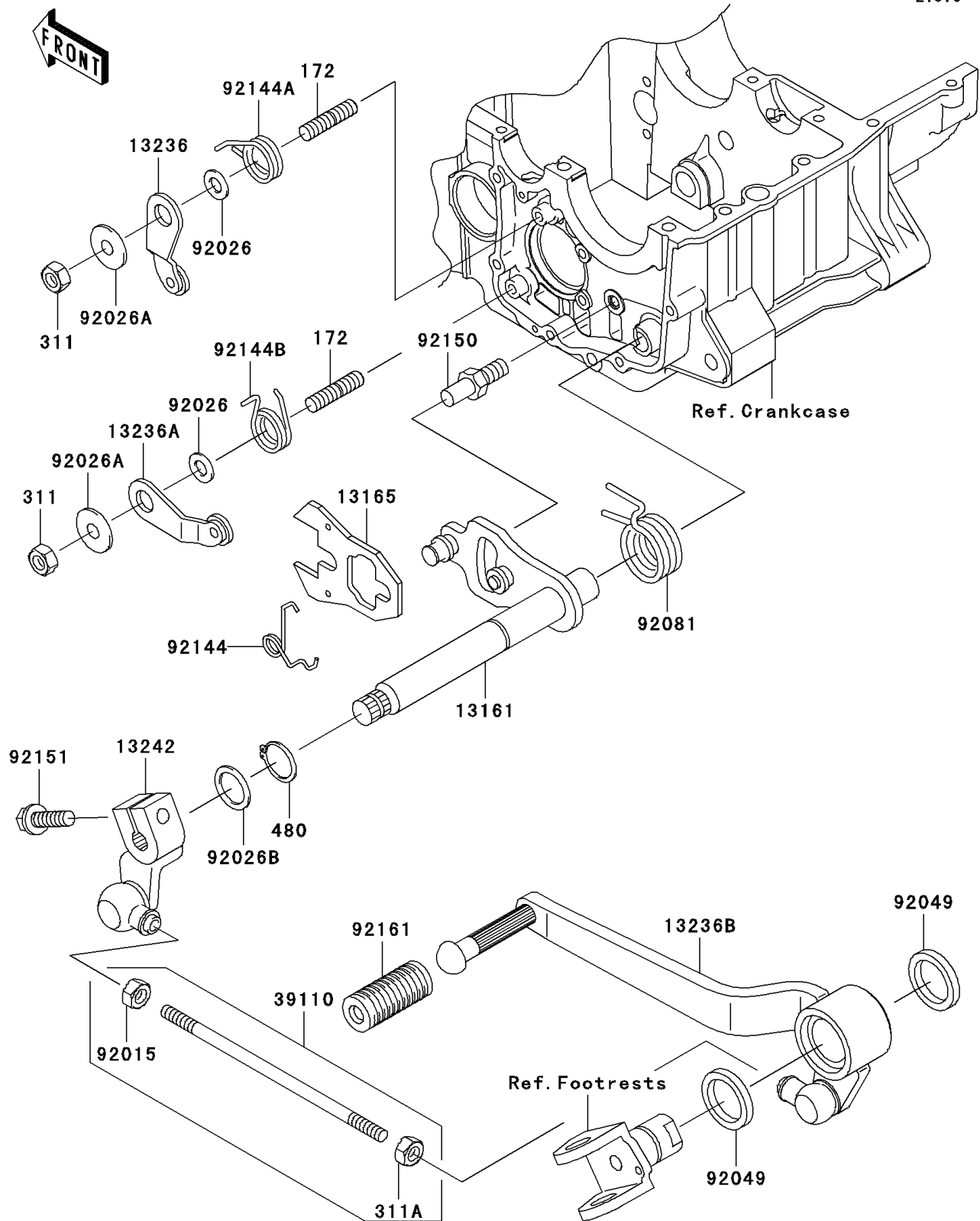


2004 ZRX1200 PARTS DIAGRAM

Gear Change Mechanism

E1370



2004 ZRX1200 PARTS LIST

Gear Change Mechanism

| ITEM NAME | PART NUMBER | QUANTITY |
|--|-------------|----------|
| BOLT-STUD,6X14 (Ref # 172) | 172G0614 | 1 |
| NUT-HEX,6MM (Ref # 311) | 311G0600 | 1 |
| NUT-HEX (Ref # 311A) | 311J0600 | 1 |
| CIRCLIP-TYPE-C,13MM (Ref # 480) | 480J1300 | 1 |
| LEVER-COMP-CHANGE SHAFT (Ref # 13161) | 13161-1155 | 1 |
| PAWL (Ref # 13165) | 13165-1120 | 1 |
| LEVER-COMP,GEAR POSITION (Ref # 13236) | 13236-1103 | 1 |
| LEVER-COMP,GEAR POSITION (Ref # 13236A) | 13236-1216 | 1 |
| LEVER-COMP,PEDAL (Ref # 13236B) | 13236-1365 | 1 |
| LEVER-ASSY-CHANGE,LINK (Ref # 13242) | 13242-1323 | 1 |
| ROD-ASSY-TIE (Ref # 39110) | 39110-1106 | 1 |
| NUT,LEFT HANDED,6MM (Ref # 92015) | 92015-1178 | 1 |
| SPACER,6.3X12X1.0 (Ref # 92026) | 92026-094 | 1 |
| SPACER (Ref # 92026A) | 92026-1217 | 1 |
| SPACER,13.3X18X1.0 (Ref # 92026B) | 92026-1532 | 1 |
| SEAL-OIL (Ref # 92049) | 92049-1492 | 1 |
| SPRING,CHANGE PEDAL RETURN (Ref # 92081) | 92081-1869 | 1 |
| SPRING (Ref # 92144) | 92144-1029 | 1 |
| SPRING (Ref # 92144A) | 92144-1856 | 1 |
| SPRING,GEAR POSITION (Ref # 92144B) | 92144-1857 | 1 |
| BOLT,RETURN SPRING (Ref # 92150) | 92150-1869 | 1 |
| BOLT,6X20 (Ref # 92151) | 92151-1450 | 1 |
| DAMPER,CHANGE LEVER (Ref # 92161) | 92161-1300 | 1 |