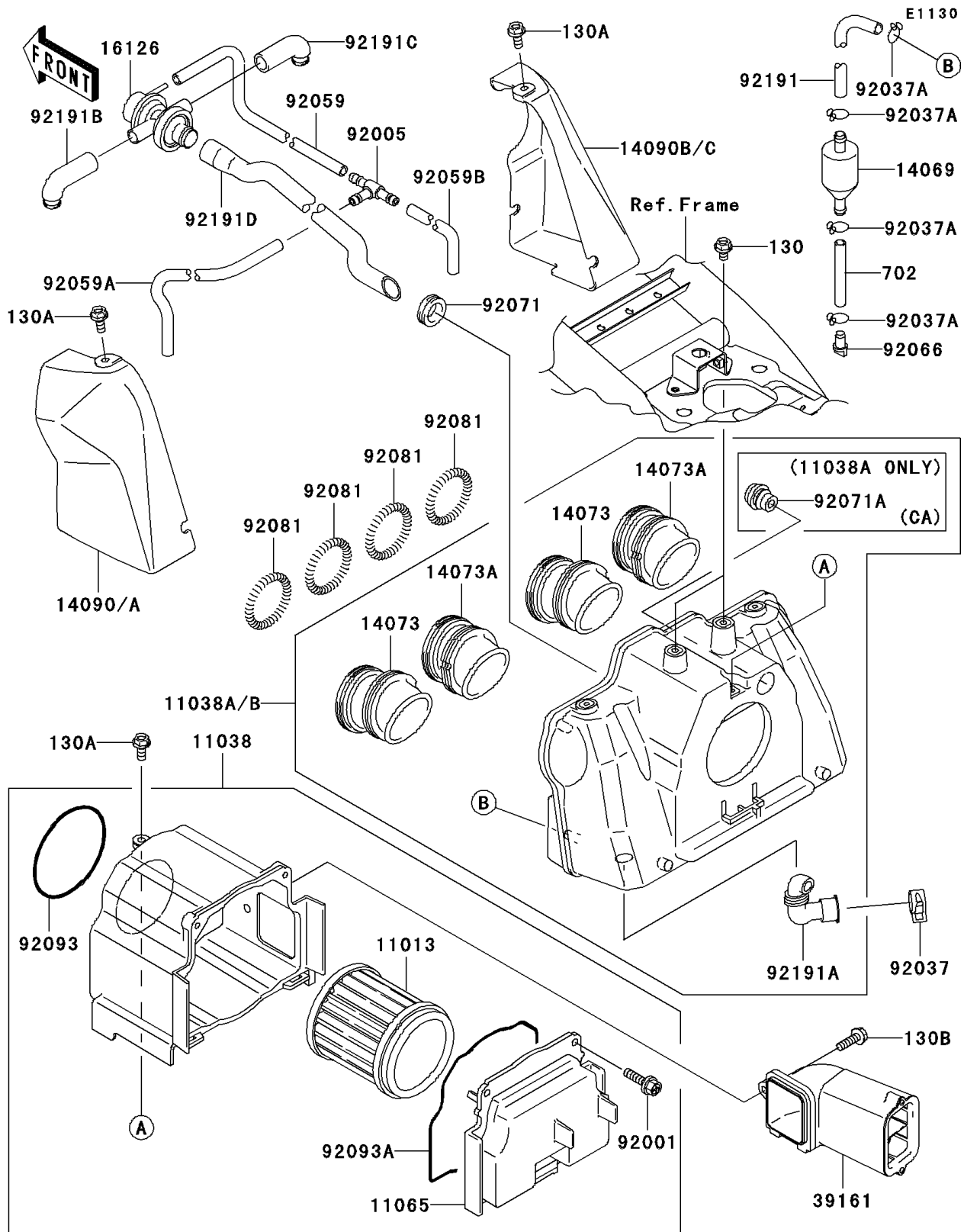


2004 ZRX1200 PARTS DIAGRAM

Air Cleaner



2004 ZRX1200 PARTS LIST

Air Cleaner

| ITEM NAME | PART NUMBER | QUANTITY |
|--|---------------|----------|
| BOLT-FLANGED (Ref # 130) | 130J0610 | 1 |
| BOLT-FLANGED,6X14,BLACK (Ref # 130A) | 130J0614 | 1 |
| BOLT-FLANGED (Ref # 130B) | 130J0620 | 1 |
| TUBE-RUBBER,7X10X60 (Ref # 702) | 702A0760 | 1 |
| ELEMENT-AIR FILTER (Ref # 11013) | 11013-1235 | 1 |
| CASE-ASSY-AIR FILTER,RR (Ref # 11038) | 11038-0004 | 1 |
| CAP,AIR FILTER (Ref # 11065) | 11065-0040 | 1 |
| BREATHER (Ref # 14069) | 14069-1051 | 1 |
| DUCT,#1 (Ref # 14073) | 14073-1685 | 1 |
| DUCT,#2 (Ref # 14073A) | 14073-1686 | 1 |
| COVER,AIR CLEANER,LH,F.C.GRAY (Ref # 14090) | 14090-1789-3L | 1 |
| COVER,AIR CLEANER,RH,F.C.GRAY (Ref # 14090B) | 14090-1790-3L | 1 |
| VALVE,AIR SWITCH (Ref # 16126) | 16126-1401 | 1 |
| SILENCER-ASSY-INTAKE (Ref # 39161) | 39161-1081 | 1 |
| BOLT,6X20 (Ref # 92001) | 92001-1091 | 1 |
| FITTING,TUBE,T-TYPE (Ref # 92005) | 92005-1017 | 1 |
| CLAMP (Ref # 92037) | 92037-1460 | 1 |
| CLAMP,TUBE (Ref # 92037A) | 92037-147 | 1 |
| TUBE,4X9X220 (Ref # 92059) | 92059-1040 | 1 |
| TUBE,4X9X230 (Ref # 92059A) | 92059-1068 | 1 |
| TUBE,4X9X80 (Ref # 92059B) | 92059-1365 | 1 |
| PLUG,DRAIN (Ref # 92066) | 92066-1211 | 1 |
| GROMMET,AIR FILTER (Ref # 92071) | 92071-1042 | 1 |
| SPRING,COIL,BLACK (Ref # 92081) | 92081-1457 | 1 |
| SEAL,AIR FILTER (Ref # 92093) | 92093-1338 | 1 |
| SEAL,AIR FILTER (Ref # 92093A) | 92093-1432 | 1 |
| TUBE (Ref # 92191) | 92191-1006 | 1 |
| TUBE,DRAIN TUBE (Ref # 92191A) | 92191-1124 | 1 |
| TUBE,AIR SWITCH LH (Ref # 92191B) | 92191-1125 | 1 |

2004 ZRX1200 PARTS LIST

Air Cleaner

| ITEM NAME | PART NUMBER | QUANTITY |
|---|-------------|----------|
| TUBE,AIR SWITCH RH (Ref # 92191C) | 92191-1126 | 1 |
| TUBE,AIR SWITCH-AIR FILTER (Ref # 92191D) | 92191-1127 | 1 |
| CASE-ASSY-AIR FILTER,FR (Ref # 11038A) | 11038-0007 | 1 |
| CASE-ASSY-AIR FILTER,FR (Ref # 11038B) | 11038-1120 | 1 |
| GROMMET,AIR FILTER (Ref # 92071A) | 92071-1112 | 1 |