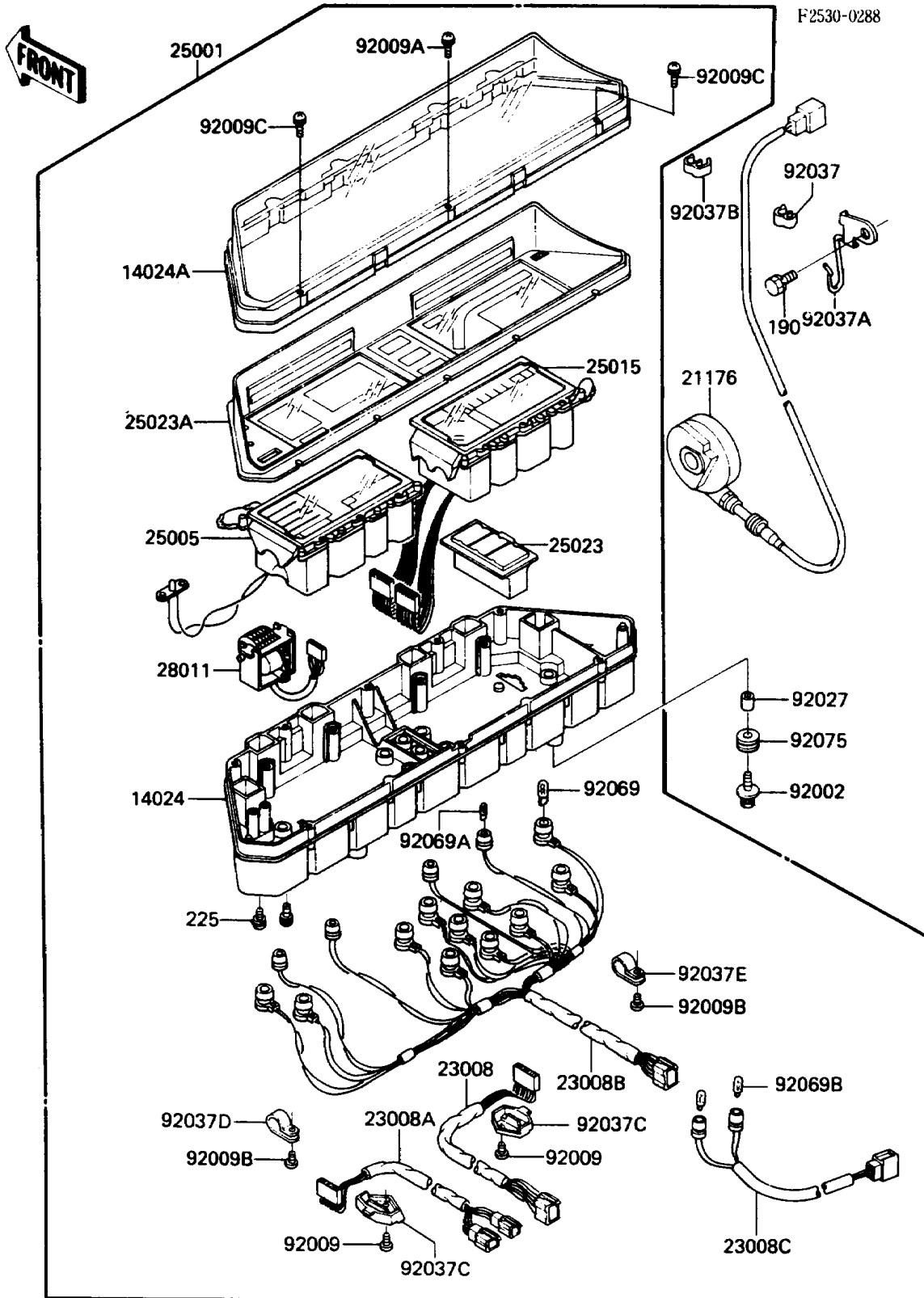


1987 Voyager® 1300 PARTS DIAGRAM

Meter(s)



1987 Voyager® 1300 PARTS LIST

Meter(s)

| ITEM NAME | PART NUMBER | QUANTITY |
|--|-------------|----------|
| COVER,METER,LWR (Ref # 14024) | 14024-1596 | 1 |
| COVER,METER,UPP (Ref # 14024A) | 14025-1794 | 1 |
| SENSOR (Ref # 21176) | 21176-1053 | 1 |
| SOCKET-ASSY,TACHOMETER (Ref # 23008) | 23008-1206 | 1 |
| SOCKET-ASSY,SPEEDOMETER (Ref # 23008A) | 23008-1207 | 1 |
| SOCKET-ASSY,PILOT LAMP (Ref # 23008B) | 23008-1208 | 1 |
| SOCKET-ASSY,CRUISE LAMP (Ref # 23008C) | 23008-1350 | 1 |
| METER-ASSY,MPH (Ref # 25001) | 25001-1705 | 1 |
| SPEEDOMETER,LCD,MPH (Ref # 25005) | 25005-1373 | 1 |
| TACHOMETER,LCD,(X1000RPM) (Ref # 25015) | 25015-1203 | 1 |
| COVER-METER CASE,PILOT BOX (Ref # 25023) | 25023-1105 | 1 |
| COVER-METER CASE (Ref # 25023A) | 25023-1160 | 1 |
| METER,ODOMETER (Ref # 28011) | 28011-1055 | 1 |
| BOLT,6X25 (Ref # 92002) | 92002-1137 | 1 |
| SCREW,TAPPING,3X12 (Ref # 92009) | 92009-1028 | 1 |
| SCREW,TAPPING,3X18 (Ref # 92009A) | 92009-1280 | 1 |
| SCREW,TAPPING,4X14 (Ref # 92009B) | 92009-1503 | 1 |
| SCREW,TAPPING,3X14 (Ref # 92009C) | 92009-1504 | 1 |
| COLLAR,6.8X10X12 (Ref # 92027) | 92027-162 | 1 |
| CLAMP,HOSE (Ref # 92037) | 92037-1249 | 1 |
| CLAMP,SENSOR LEAD WIRE (Ref # 92037A) | 92037-1453 | 1 |
| CLAMP,SENSOR LEAD WIRE (Ref # 92037B) | 92037-1458 | 1 |
| CLAMP,METER,SOCKET ASSY (Ref # 92037C) | 92037-1478 | 1 |
| CLAMP,METER,SOCKET ASSY (Ref # 92037D) | 92037-1479 | 1 |
| CLAMP,CABLE & HARNESS (Ref # 92037E) | 92037-1616 | 1 |
| BULB,12V 3.4W (Ref # 92069) | 92069-1007 | 1 |
| BULB,12V1.4W T-5 (Ref # 92069A) | 92069-1051 | 1 |
| BULB,12V 3W (Ref # 92069B) | 92069-1068 | 1 |
| DAMPER (Ref # 92075) | 92075-209 | 1 |

1987 Voyager® 1300 PARTS LIST

Meter(s)

| ITEM NAME | PART NUMBER | QUANTITY |
|---------------------------------|-------------|----------|
| BOLT-UPSET-WS,10X14 (Ref # 190) | 190C1014 | 1 |
| SCREW-PAN-WSP-CROS (Ref # 225) | 225B0410 | 1 |