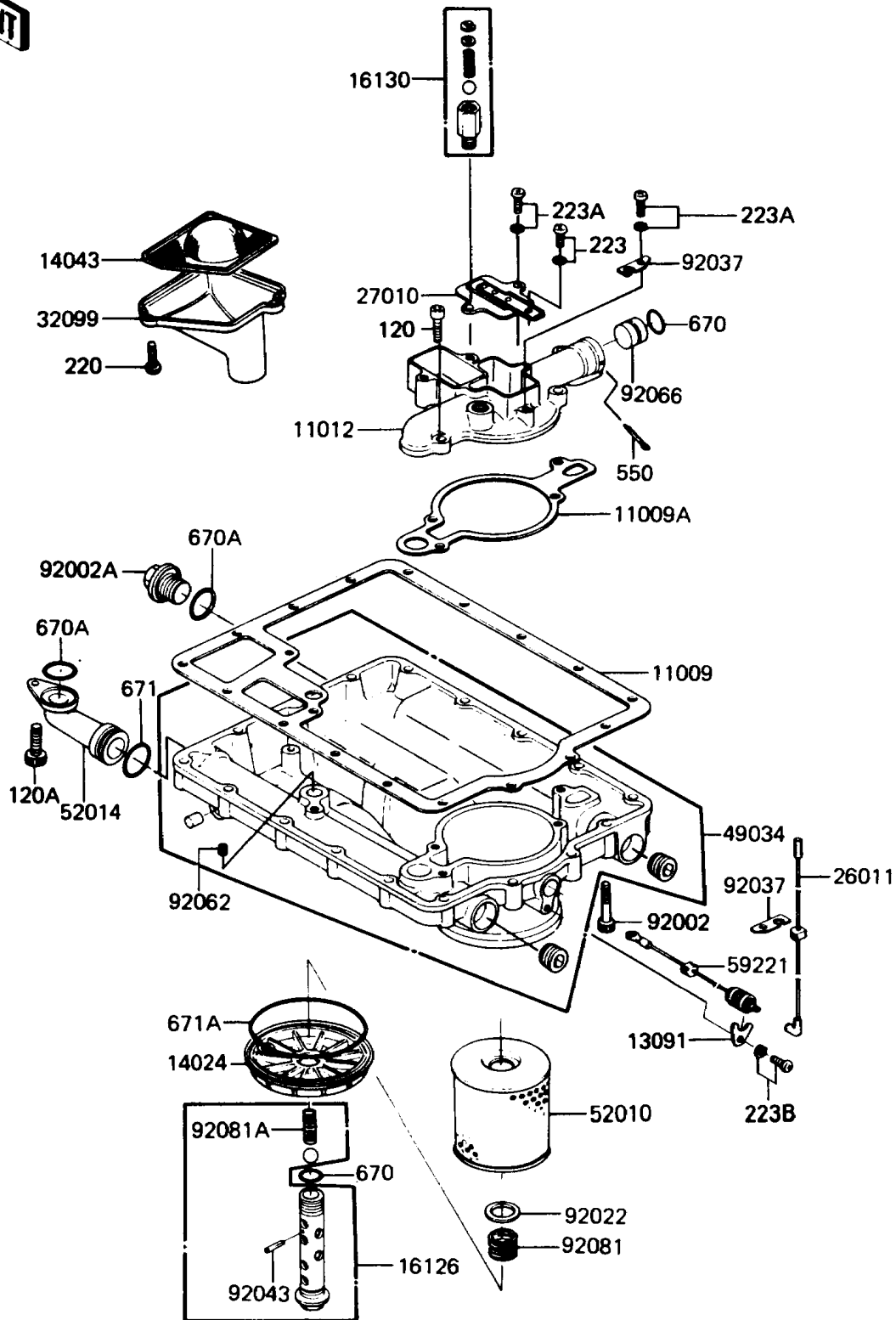


## 1987 Voyager® 1300 PARTS DIAGRAM

Oil Pan/Oil Filter

E1710-0064



## 1987 Voyager® 1300 PARTS LIST

Oil Pan/Oil Filter

ITEM NAME	PART NUMBER	QUANTITY
GASKET,OIL PAN (Ref # 11009)	11009-1093	1
GASKET,OIL FILTER CAP (Ref # 11009A)	11009-1198	1
CAP,OIL FILTER (Ref # 11012)	11012-1148	1
HOLDER,CONNECTOR (Ref # 13091)	13091-1080	1
COVER,OIL FILTER (Ref # 14024)	14025-1170	1
FILTER,OIL (Ref # 14043)	14043-1008	1
VALVE,OIL FILTER (Ref # 16126)	16126-1006	1
VALVE-ASSY-RELIEF (Ref # 16130)	16130-1001	1
WIRE-LEAD,OIL SWITCH (Ref # 26011)	26011-1262	1
SWITCH,OIL LEVEL (Ref # 27010)	27010-1038	1
CASE,OIL FILTER (Ref # 32099)	32099-1017	1
PAN-OIL (Ref # 49034)	49034-5005	1
ELEMENT-OIL FILTER (Ref # 52010)	16099-002	1
ELBOW,OIL PASSAGE (Ref # 52014)	52014-1002	1
CONNECTOR-CORD,OIL SWITCH (Ref # 59221)	59221-1002	1
BOLT,6X35 (Ref # 92002)	92002-1270	1
BOLT,OIL DRAIN (Ref # 92002A)	92002-1276	1
WASHER,20.5X30X1 (Ref # 92022)	92022-1012	1
CLAMP,LEAD WIRE (Ref # 92037)	92037-1211	1
PIN,SPRING,2X20 (Ref # 92043)	92043-111	1
NOZZLE,BLACK (Ref # 92062)	92062-011	1
PLUG,OIL GALLERY,16X3.2 (Ref # 92066)	92066-1023	1
SPRING,OIL FILTER (Ref # 92081)	92081-1018	1
SPRING (Ref # 92081A)	92081-133	1
BOLT-SOCKET,6X35 (Ref # 120)	120P0635	1
BOLT-SOCKET (Ref # 120A)	120Z0620	1
SCREW-PAN-CROS,6X20,WHITE (Ref # 220)	220B0620	1
SCREW-PAN-WS-CROS (Ref # 223)	223B0406	1
SCREW-PAN-WS-CROS (Ref # 223A)	223B0614	1

## 1987 Voyager® 1300 PARTS LIST

Oil Pan/Oil Filter

ITEM NAME	PART NUMBER	QUANTITY
SCREW-PAN-WS-CROS (Ref # 223B)	223D0614	1
PIN-COTTER,2.0X40 (Ref # 550)	550D2040	1
O RING,16MM (Ref # 670)	670B2016	1
O RING,22MM (Ref # 670A)	670B2022	1
O RING,25MM (Ref # 671)	671B2525	1
O RING,95MM (Ref # 671A)	671B2595	1