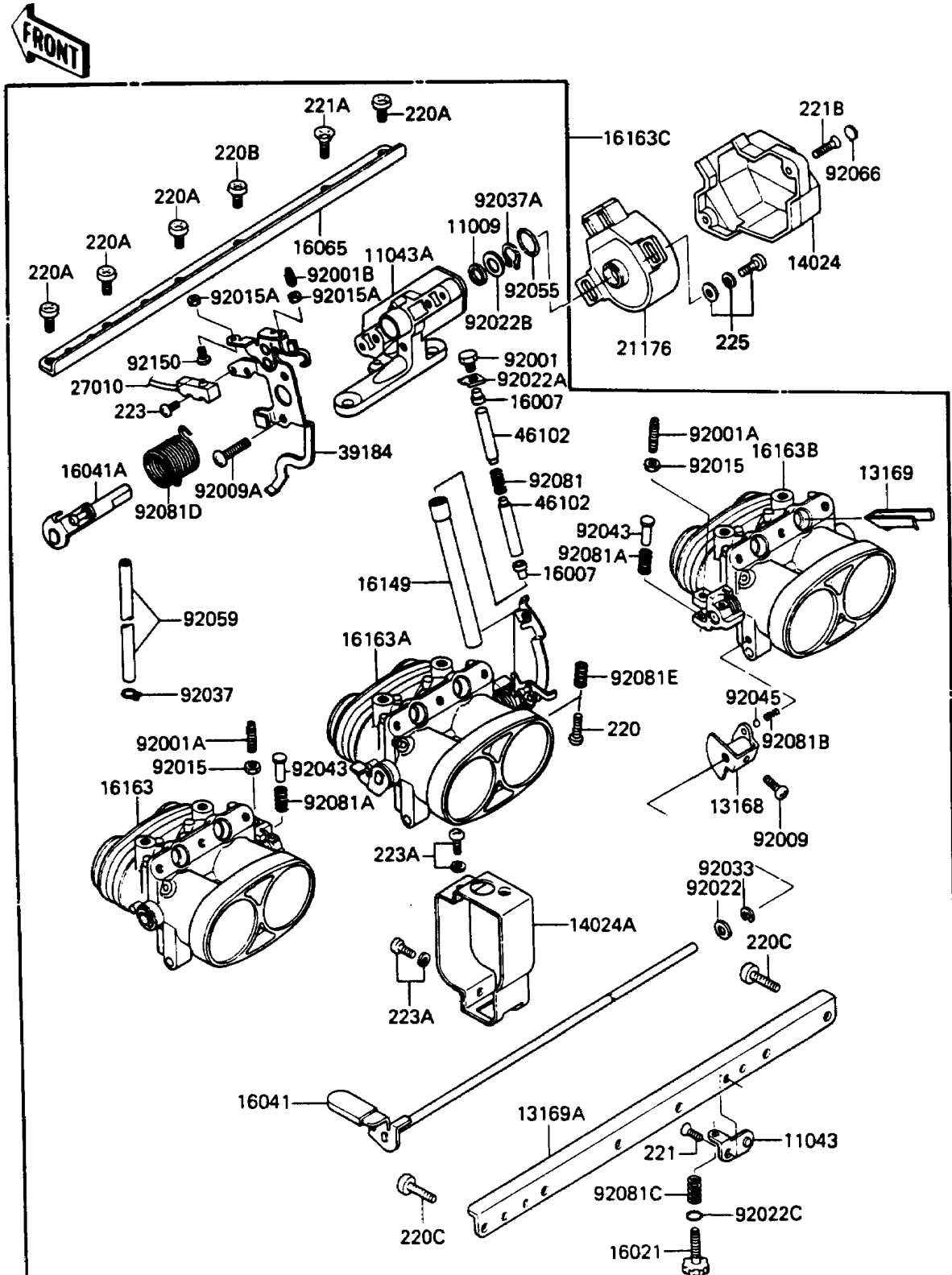


1987 Voyager® 1300 PARTS DIAGRAM

Throttle

E1510-0011



1987 Voyager® 1300 PARTS LIST

Throttle

| ITEM NAME | PART NUMBER | QUANTITY |
|--|-------------|----------|
| GASKET,8MM (Ref # 11009) | 16038-020 | 1 |
| BRACKET-B,IDLE ADJUST SCREW (Ref # 11043) | 11043-1370 | 1 |
| BRACKET,THROTTLE SENSOR (Ref # 11043A) | 11043-1494 | 1 |
| LEVER,FAST IDLE (Ref # 13168) | 13168-1210 | 1 |
| PLATE (Ref # 13169) | 13169-1744 | 1 |
| PLATE,THROTTLE STAY,LWR (Ref # 13169A) | 13169-1745 | 1 |
| COVER,SENSOR (Ref # 14024) | 14025-1657 | 1 |
| COVER,TUBE (Ref # 14024A) | 14025-1798 | 1 |
| SEAT-SPRING (Ref # 16007) | 16057-002 | 1 |
| SCREW-THROTTLE STOP (Ref # 16021) | 16021-1066 | 1 |
| SHAFT-CARBURETOR,FAST IDLE (Ref # 16041) | 16041-1052 | 1 |
| SHAFT-CARBURETOR,SENSOR (Ref # 16041A) | 16041-1053 | 1 |
| HOLDER-CARBURETOR,STAY,UPP (Ref # 16065) | 16065-1107 | 1 |
| BAR,CARBURETOR (Ref # 16149) | 16149-1052 | 1 |
| THROTTLE-ASSY,#1 (Ref # 16163) | 16163-1032 | 1 |
| THROTTLE-ASSY,#2 (Ref # 16163A) | 16163-1033 | 1 |
| THROTTLE-ASSY,#3 (Ref # 16163B) | 16163-1034 | 1 |
| THROTTLE-ASSY (Ref # 16163C) | 16163-1083 | 1 |
| SENSOR,THROTTLE (Ref # 21176) | 21176-1004 | 1 |
| SWITCH,CRUISE CANSEL (Ref # 27010) | 27010-1242 | 1 |
| BRACKET-ASSY,THROTTLE (Ref # 39184) | 39184-1069 | 1 |
| ROD,THROTTLE (Ref # 46102) | 46102-1106 | 1 |
| BOLT,A (Ref # 92001) | 16067-003 | 1 |
| BOLT,ADJUSTING (Ref # 92001A) | 92001-1447 | 1 |
| BOLT,THROTTLE BRACKET (Ref # 92001B) | 92001-1909 | 1 |
| SCREW,PAN HEAD,5X7 (Ref # 92009) | 16046-007 | 1 |
| SCREW,5X12 (Ref # 92009A) | 92009-1318 | 1 |
| NUT,THROTTLE VALVE ADJUSTING (Ref # 92015) | 92015-1119 | 1 |
| NUT,THROTTLE BRACKET (Ref # 92015A) | 92015-1348 | 1 |

1987 Voyager® 1300 PARTS LIST

Throttle

| ITEM NAME | PART NUMBER | QUANTITY |
|--|-------------|----------|
| WASHER,PLAIN,NYLON (Ref # 92022) | 16039-019 | 1 |
| WASHER,LOCK (Ref # 92022A) | 16054-003 | 1 |
| WASHER,THROTTLE SENSOR (Ref # 92022B) | 92022-1492 | 1 |
| WASHER,THROTTLE STOP SCREW (Ref # 92022C) | 92022-1608 | 1 |
| RING-SNAP,E-TYPE (Ref # 92033) | 92033-1066 | 1 |
| CLAMP,TUBE (Ref # 92037) | 92037-1124 | 1 |
| CLAMP (Ref # 92037A) | 92037-1196 | 1 |
| PIN,THROTTLE VALVE ADJUST (Ref # 92043) | 92043-1079 | 1 |
| BALL-STEEL,1/8" (Ref # 92045) | 92045-1044 | 1 |
| RING-O,THROTTLE SENSOR (Ref # 92055) | 92055-1226 | 1 |
| TUBE,3X7X125 (Ref # 92059) | 92059-1382 | 1 |
| PLUG (Ref # 92066) | 92066-1122 | 1 |
| SPRING (Ref # 92081) | 16040-026 | 1 |
| SPRING,THROTTLE VALVE ADJUST (Ref # 92081A) | 92081-1259 | 1 |
| SPRING,SHAFT STOP (Ref # 92081B) | 92081-1260 | 1 |
| SPRING,THROTTLE STOP SCREW (Ref # 92081C) | 92081-1377 | 1 |
| SPRING,THROTTLE SENSOR RETURN (Ref # 92081D) | 92081-1634 | 1 |
| SPRING,FAST IDLE ADJUST SCREW (Ref # 92081E) | 92081-1635 | 1 |
| BOLT,CRUISE SWITCH (Ref # 92150) | 92150-1041 | 1 |
| SCREW-PAN-CROS,4X18 (Ref # 220) | 220B0418 | 1 |
| SCREW-PAN-CROS,6X10 (Ref # 220A) | 220B0610 | 1 |
| SCREW-PAN-CROS,6X16 (Ref # 220B) | 220B0616 | 1 |
| SCREW-PAN-CROS,6X18 (Ref # 220C) | 220B0618 | 1 |
| SCREW-CSK-CROS (Ref # 221) | 221B0508 | 1 |
| SCREW-CSK-CROS,6X16 (Ref # 221A) | 221B0616 | 1 |
| SCREW-CSK-CROS,4X14 (Ref # 221B) | 221C0414 | 1 |
| SCREW-PAN-WS-CROS (Ref # 223) | 223B0414 | 1 |
| SCREW-PAN-WS-CROS (Ref # 223A) | 223B0508 | 1 |
| SCREW-PAN-WSP-CROS (Ref # 225) | 225B0510 | 1 |