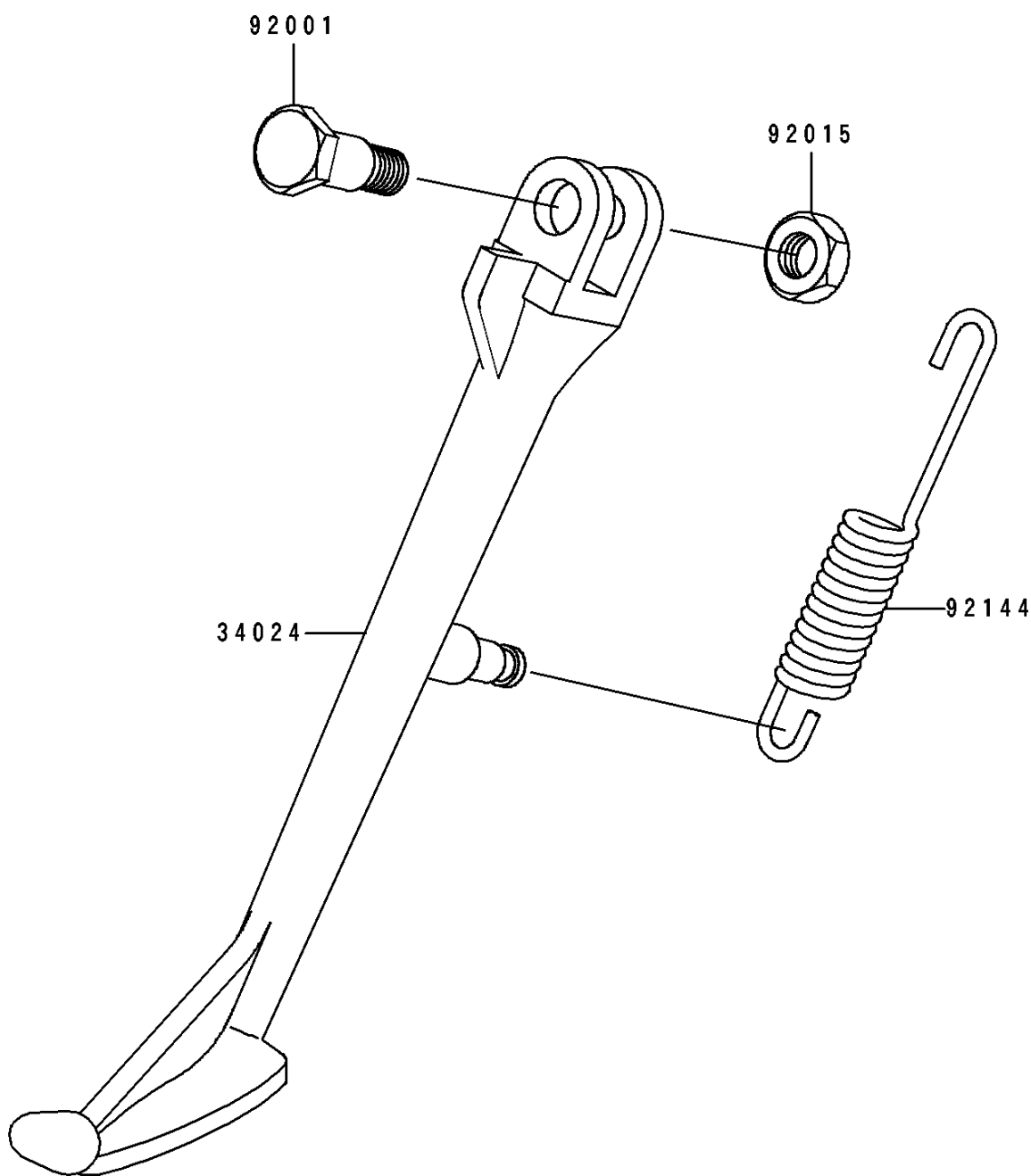


1996 Eliminator® 600 PARTS DIAGRAM

Stand(s)

F2190



1996 Eliminator® 600 PARTS LIST

Stand(s)

ITEM NAME	PART NUMBER	QUANTITY
STAND-SIDE,BLACK (Ref # 34024)	34024-1213-10	1
BOLT,SIDE STAND,BLACK (Ref # 92001)	92001-1543	1
NUT,LOCK,10MM,BLACK (Ref # 92015)	92015-1188	1
SPRING,SIDE STAND (Ref # 92144)	92144-1008	1