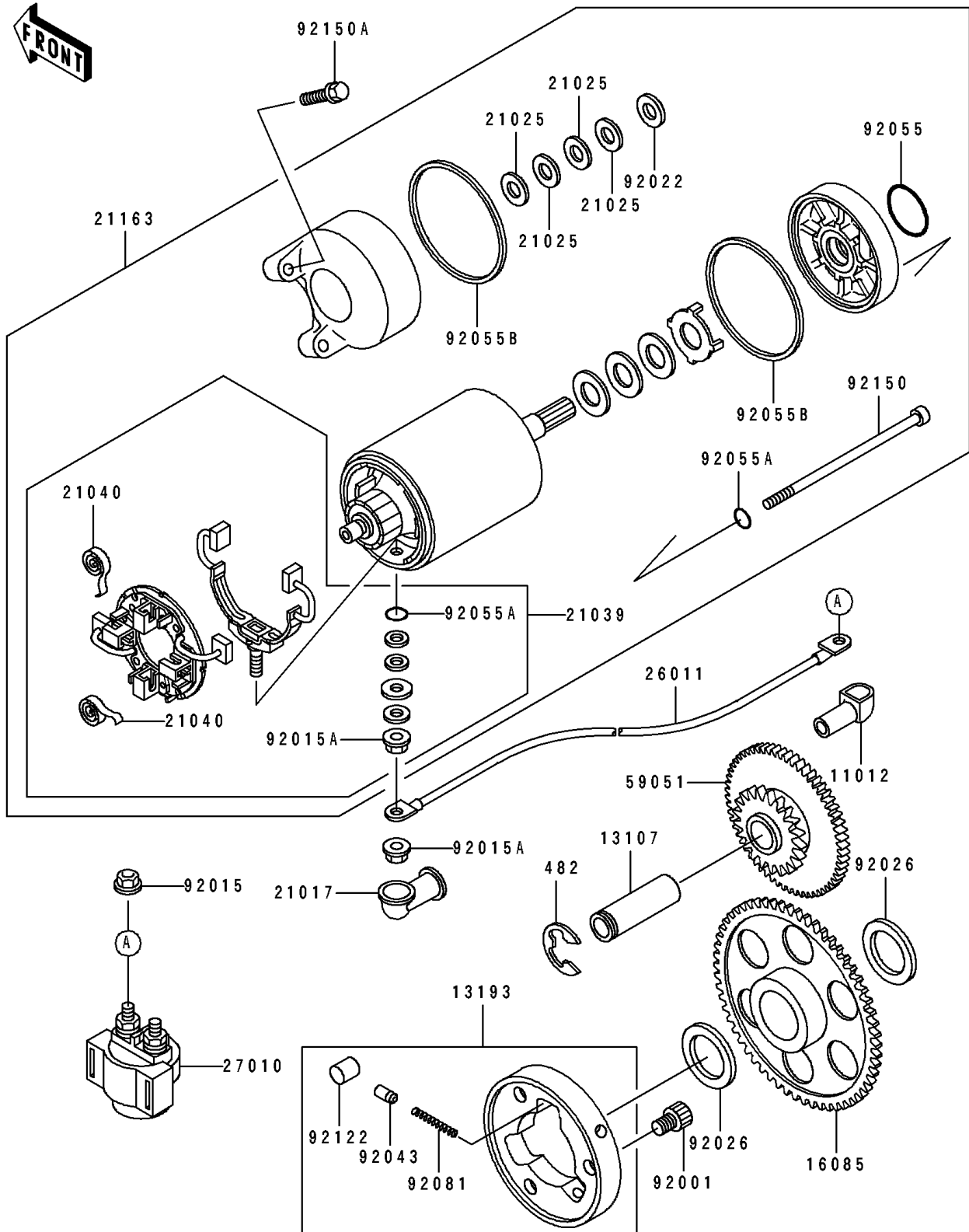


## 1996 Eliminator® 600 PARTS DIAGRAM

Starter Motor

E1840



## 1996 Eliminator® 600 PARTS LIST

Starter Motor

ITEM NAME	PART NUMBER	QUANTITY
CAP,TERMINAL (Ref # 11012)	11012-1354	1
SHAFT,IDLE GEAR (Ref # 13107)	13107-1144	1
CLUTCH-ASSY-ONEWAY (Ref # 13193)	13193-1002	1
GEAR,ONEWAY CLUTCH (Ref # 16085)	16085-1030	1
GROMMET,STARTER TERMINAL (Ref # 21017)	21017-017	1
WASHER,9.1X18X0.2 (Ref # 21025)	21025-011	1
BRUSH,CARBON (Ref # 21039)	21039-1062	1
SPRING-BRUSH (Ref # 21040)	21040-1057	1
STARTER-ELECTRIC (Ref # 21163)	21163-1230	1
WIRE-LEAD,STARTER MOTOR (Ref # 26011)	26011-1251	1
SWITCH,STARTER (Ref # 27010)	27010-1314	1
GEAR-SPUR,IDLE (Ref # 59051)	59051-1138	1
BOLT,SOCKET,8X10 (Ref # 92001)	92001-1424	1
NUT,FLANGED,6MM (Ref # 92015)	92015-1193	1
NUT,STARTER MOTOR (Ref # 92015A)	92015-1476	1
WASHER,9.1X18X0.8 (Ref # 92022)	92022-1132	1
SPACER,25X36X3.2 (Ref # 92026)	92026-1025	1
PIN (Ref # 92043)	92043-132	1
RING-O (Ref # 92055)	92055-1276	1
RING-O,4.5X2.0 (Ref # 92055A)	92055-1370	1
RING-O,STARTER MOTOR (Ref # 92055B)	92055-1381	1
SPRING,COIL (Ref # 92081)	92081-159	1
ROLLER (Ref # 92122)	92122-006	1
BOLT (Ref # 92150)	92150-1243	1
BOLT,6X25 (Ref # 92150A)	92150-1779	1
CIRCLIP-TYPE-E (Ref # 482)	482J0300	1