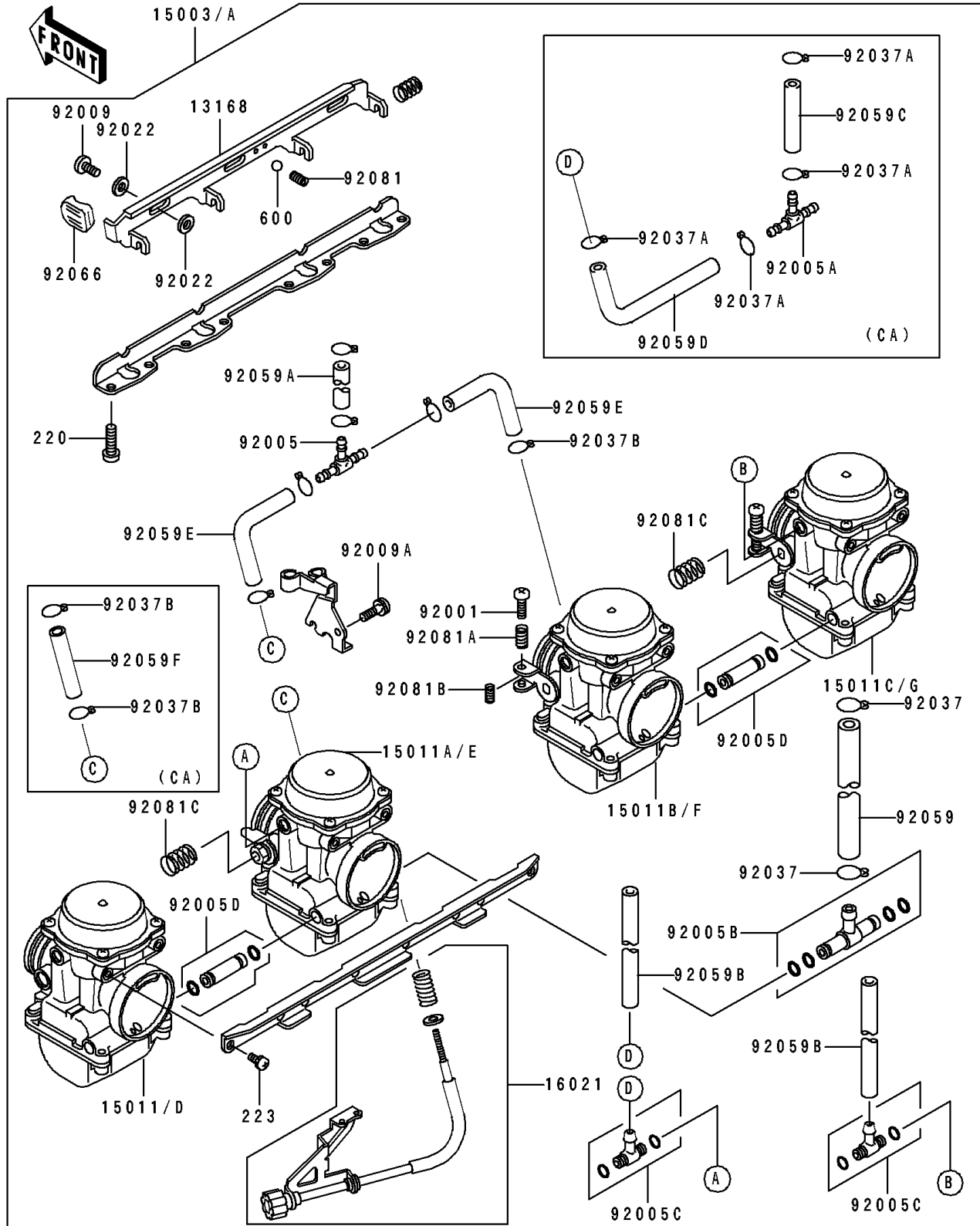


1996 Eliminator® 600 PARTS DIAGRAM

Carburetor

E1611



1996 Eliminator® 600 PARTS LIST

Carburetor

| ITEM NAME | PART NUMBER | QUANTITY |
|--|-------------|----------|
| LEVER,STARTER (Ref # 13168) | 13168-1434 | 1 |
| CARBURETOR-ASSY (Ref # 15003) | 15003-1205 | 1 |
| CARBURETOR-ASSY (Ref # 15003A) | 15003-1206 | 1 |
| CARBURETOR,LH,OUTSIDE (Ref # 15011) | 15011-1105 | 1 |
| CARBURETOR,LH,INSIDE (Ref # 15011A) | 15011-1106 | 1 |
| CARBURETOR,RH,INSIDE (Ref # 15011B) | 15011-1107 | 1 |
| CARBURETOR,RH,OUTSIDE (Ref # 15011C) | 15011-1108 | 1 |
| CARBURETOR,LH,OUTSIDE (Ref # 15011D) | 15011-1113 | 1 |
| CARBURETOR,LH,INSIDE (Ref # 15011E) | 15011-1114 | 1 |
| CARBURETOR,RH,INSIDE (Ref # 15011F) | 15011-1115 | 1 |
| CARBURETOR,RH,OUTSIDE (Ref # 15011G) | 15011-1116 | 1 |
| SCREW-THROTTLE STOP (Ref # 16021) | 16021-1179 | 1 |
| BOLT,THROTTLE ADJUST (Ref # 92001) | 92001-1998 | 1 |
| FITTING,FUEL,T-TYPE (Ref # 92005) | 92005-1112 | 1 |
| FITTING,T-TYPE (Ref # 92005A) | 92005-1119 | 1 |
| FITTING (Ref # 92005B) | 92005-1288 | 1 |
| FITTING (Ref # 92005C) | 92005-1306 | 1 |
| FITTING (Ref # 92005D) | 92005-1310 | 1 |
| SCREW (Ref # 92009) | 92009-1262 | 1 |
| SCREW,5X10 (Ref # 92009A) | 92009-1365 | 1 |
| WASHER,6.1X11X0.8,POLYACETAL (Ref # 92022) | 92022-1199 | 1 |
| CLAMP,FUEL TUBE (Ref # 92037) | 92037-1075 | 1 |
| CLAMP,TUBE (Ref # 92037A) | 92037-1194 | 1 |
| CLAMP,TUBE (Ref # 92037B) | 92037-1477 | 2 |
| TUBE,FUEL,7.3X12.5X200 (Ref # 92059) | 92059-1029 | 1 |
| TUBE,5X9X200 (Ref # 92059A) | 92059-1173 | 1 |
| TUBE,6.5X9.5X290 (Ref # 92059B) | 92059-1376 | 1 |
| TUBE,7X11X100 (Ref # 92059C) | 92059-1476 | 1 |
| TUBE,7X11X260 (Ref # 92059D) | 92059-1613 | 1 |

1996 Eliminator® 600 PARTS LIST

Carburetor

| ITEM NAME | PART NUMBER | QUANTITY |
|---|-------------|----------|
| TUBE,5X9X90 (Ref # 92059E) | 92059-1627 | 1 |
| TUBE,5X9X120 (Ref # 92059F) | 92059-1721 | 1 |
| PLUG,STARTER LEVER (Ref # 92066) | 92066-1157 | 1 |
| SPRING,SHAFT STOP (Ref # 92081) | 92081-1619 | 1 |
| SPRING,THROTTLE ADJUST UPP (Ref # 92081A) | 92081-1620 | 1 |
| SPRING,THROTTLE ADJUST LWR (Ref # 92081B) | 92081-1621 | 1 |
| SPRING,THROTTLE ADJUST CNT (Ref # 92081C) | 92081-1622 | 1 |
| SCREW-PAN-CROS,6X16 (Ref # 220) | 220B0616 | 1 |
| SCREW-PAN-WS-CROS (Ref # 223) | 223C0510 | 1 |
| BALL-STEEL,3/16" (Ref # 600) | 600A0600 | 1 |