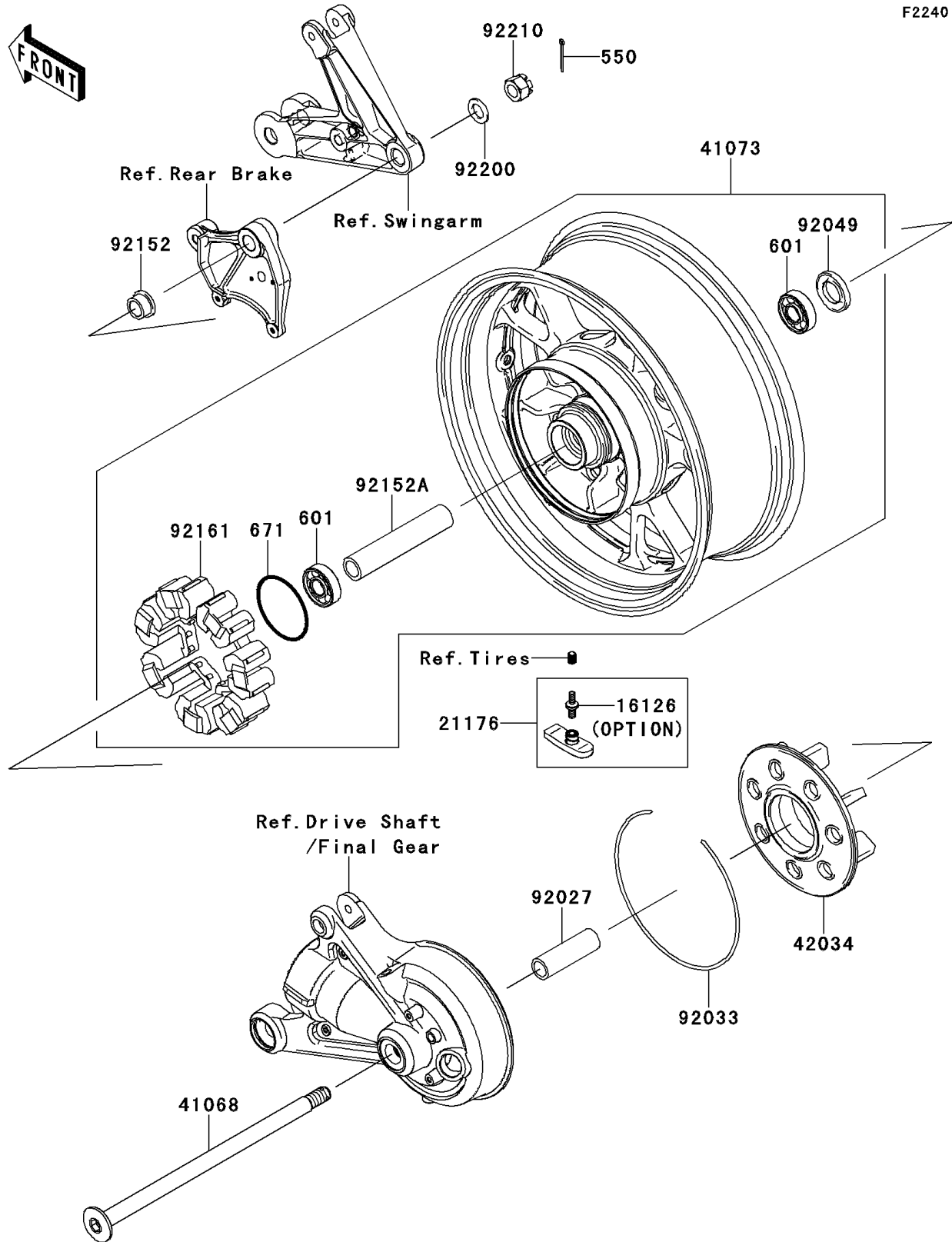


## 2008 Concoours® 14 ABS PARTS DIAGRAM

Rear Wheel/Chain

F2240



## 2008 Concours® 14 ABS PARTS LIST

Rear Wheel/Chain

ITEM NAME	PART NUMBER	QUANTITY
PIN-COTTER,4.0X35 (Ref # 550)	550AA4035	1
BEARING-BALL,#6304UUC3 (Ref # 601)	601B6304UU	1
O RING,80MM (Ref # 671)	671B2580	1
VALVE,TIRE PRESSURE SENSOR (Ref # 16126)	16126-0040	1
SENSOR,TPMS 315MHZ (Ref # 21176)	21176-0107	1
AXLE,RR (Ref # 41068)	41068-0060	1
WHEEL-ASSY,RR,M.F.P.SILVER (Ref # 41073)	41073-0091-795	1
COUPLING,RR HUB (Ref # 42034)	42034-0002	1
COLLAR,20.2X28X89 (Ref # 92027)	92027-1553	1
RING-SNAP,220MM (Ref # 92033)	92033-0012	1
SEAL-OIL,28X52X5 (Ref # 92049)	92049-1061	1
COLLAR,RR AXLE,RH,L=17 (Ref # 92152)	92152-0105	1
COLLAR,RR HUB,L=151 (Ref # 92152A)	92152-0494	1
DAMPER,SHOCK,RR HUB (Ref # 92161)	92161-0409	1
WASHER,19X32X2.6 (Ref # 92200)	92200-1489	1
NUT,CASTLE,18MM (Ref # 92210)	92210-1134	1