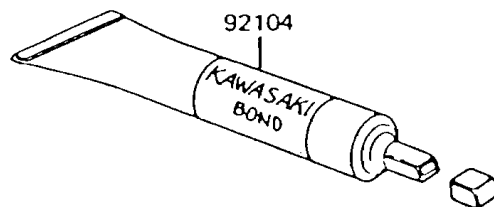
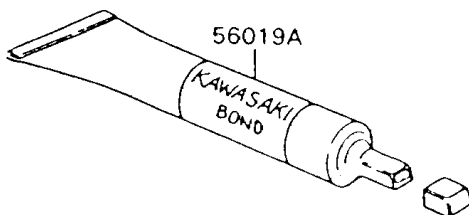
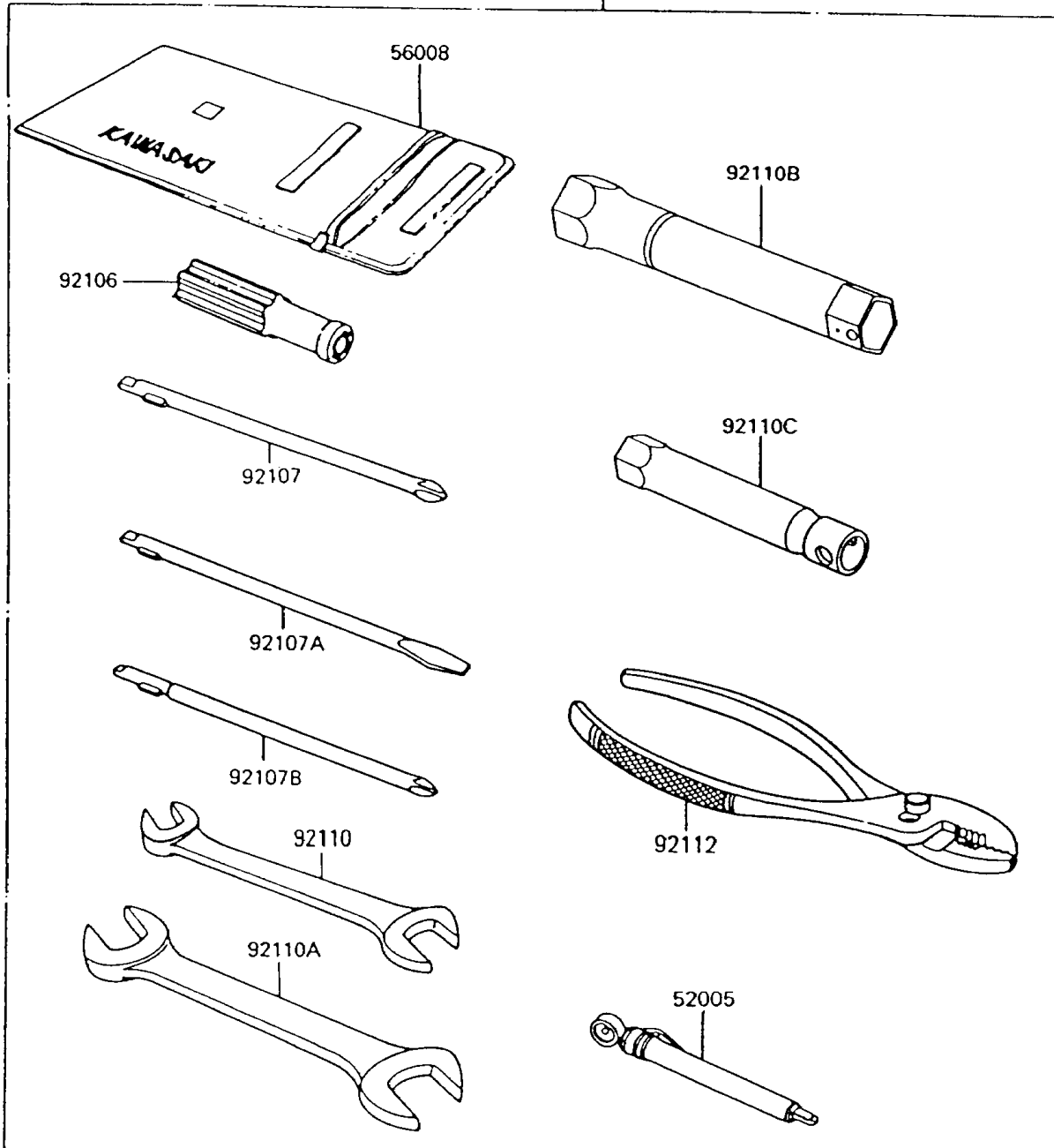


1992 Voyager® XII PARTS DIAGRAM

Owner's Tools

56007

F2810



1992 Voyager® XII PARTS LIST

Owner's Tools

| ITEM NAME | PART NUMBER | QUANTITY |
|--|-------------|----------|
| GAUGE,AIR,3.5KG/CM2 (Ref # 52005) | 52005-1031 | 1 |
| TOOLKIT (Ref # 56007) | 56007-1236 | 1 |
| BAG,TOOL (Ref # 56008) | 56008-006 | 1 |
| THREE BOND TB1211,HT/RS,WHITE (Ref # 56019A) | 56019-120 | 1 |
| GASKET-LIQUID,TUBE,100G,SILVER (Ref # 92104) | 92104-002 | 1 |
| GRIP-SCREW DRIVER (Ref # 92106) | 92106-1001 | 1 |
| TOOL-DRIVER,#2PHILLIPS (Ref # 92107) | 92107-006 | 1 |
| TOOL-DRIVER,#2SLOT (Ref # 92107A) | 92107-007 | 1 |
| TOOL-DRIVER,#3PHILLIPS (Ref # 92107B) | 92107-008 | 1 |
| TOOL-WRENCH,OPEN END,10X12 (Ref # 92110) | 92110-1038 | 1 |
| TOOL-WRENCH,OPEN END,14X17 (Ref # 92110A) | 92110-1045 | 1 |
| TOOL-WRENCH,BOX,17X18 (Ref # 92110B) | 92110-1124 | 1 |
| TOOL-WRENCH,BOX,10MM (Ref # 92110C) | 92110-1125 | 1 |
| TOOL-PLIERS (Ref # 92112) | 92112-003 | 1 |