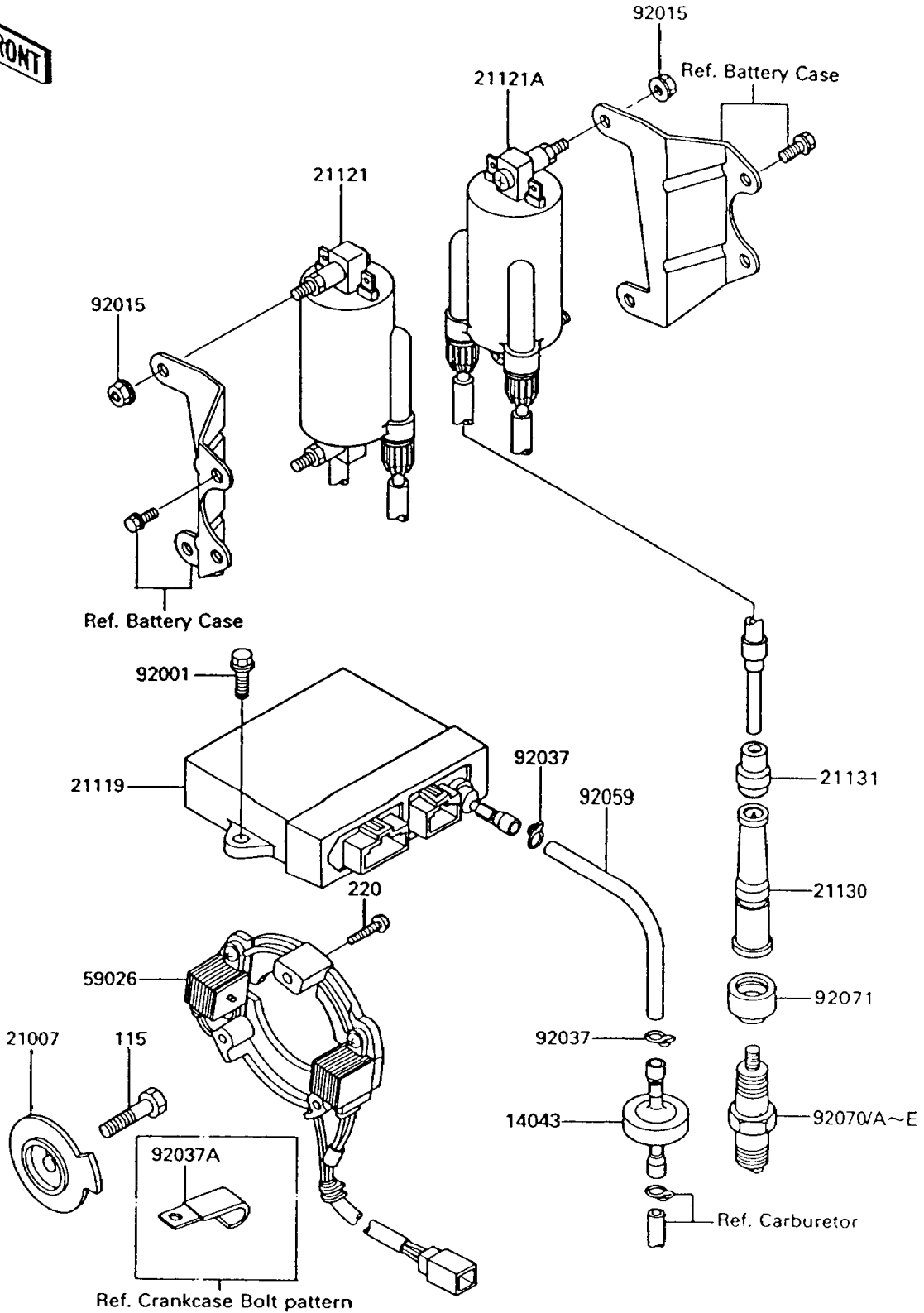


1992 Voyager® XII PARTS DIAGRAM

Ignition System

E1830



1992 Voyager® XII PARTS LIST

Ignition System

| ITEM NAME | PART NUMBER | QUANTITY |
|---|-------------|----------|
| BOLT-SMALL-UPSET,8X30 (Ref # 115) | 115G0830 | 1 |
| SCREW-PAN-CROS,5X25 (Ref # 220) | 220B0525 | 1 |
| FILTER (Ref # 14043) | 14043-1060 | 1 |
| ROTOR,PULSING COIL (Ref # 21007) | 21007-1137 | 1 |
| IGNITER (Ref # 21119) | 21119-1248 | 1 |
| COIL-IGNITION,#1&4 (Ref # 21121) | 21121-1142 | 1 |
| COIL-IGNITION,#2&3 (Ref # 21121A) | 21121-1143 | 1 |
| CAP-SPARK PLUG (Ref # 21130) | 21130-019 | 1 |
| GROMMET,HIGH TENSION (Ref # 21131) | 21131-005 | 1 |
| COIL-PULSING (Ref # 59026) | 59026-1082 | 1 |
| BOLT,6X20 (Ref # 92001) | 92001-1091 | 1 |
| NUT,FLANGED,6MM (Ref # 92015) | 92015-1193 | 1 |
| CLAMP,TUBE (Ref # 92037) | 92037-1482 | 1 |
| CLAMP,WIRING HARNESS (Ref # 92037A) | 92037-1539 | 1 |
| TUBE,3X7X140 (Ref # 92059) | 92059-1687 | 1 |
| PLUG-SPARK,DPR8EA-9(NGK) (Ref # 92070) | 92070-1065 | 1 |
| PLUG-SPARK,DPR9EA-9(NGK) (Ref # 92070A) | 92070-1068 | 1 |
| PLUG-SPARK,X24EPR-U9(ND) (Ref # 92070B) | | 3 |
| PLUG-SPARK,DPR7EA9(NGK) (Ref # 92070E) | 92070-1125 | 1 |
| GROMMET,PLUG CAP (Ref # 92071) | 92071-1124 | 1 |