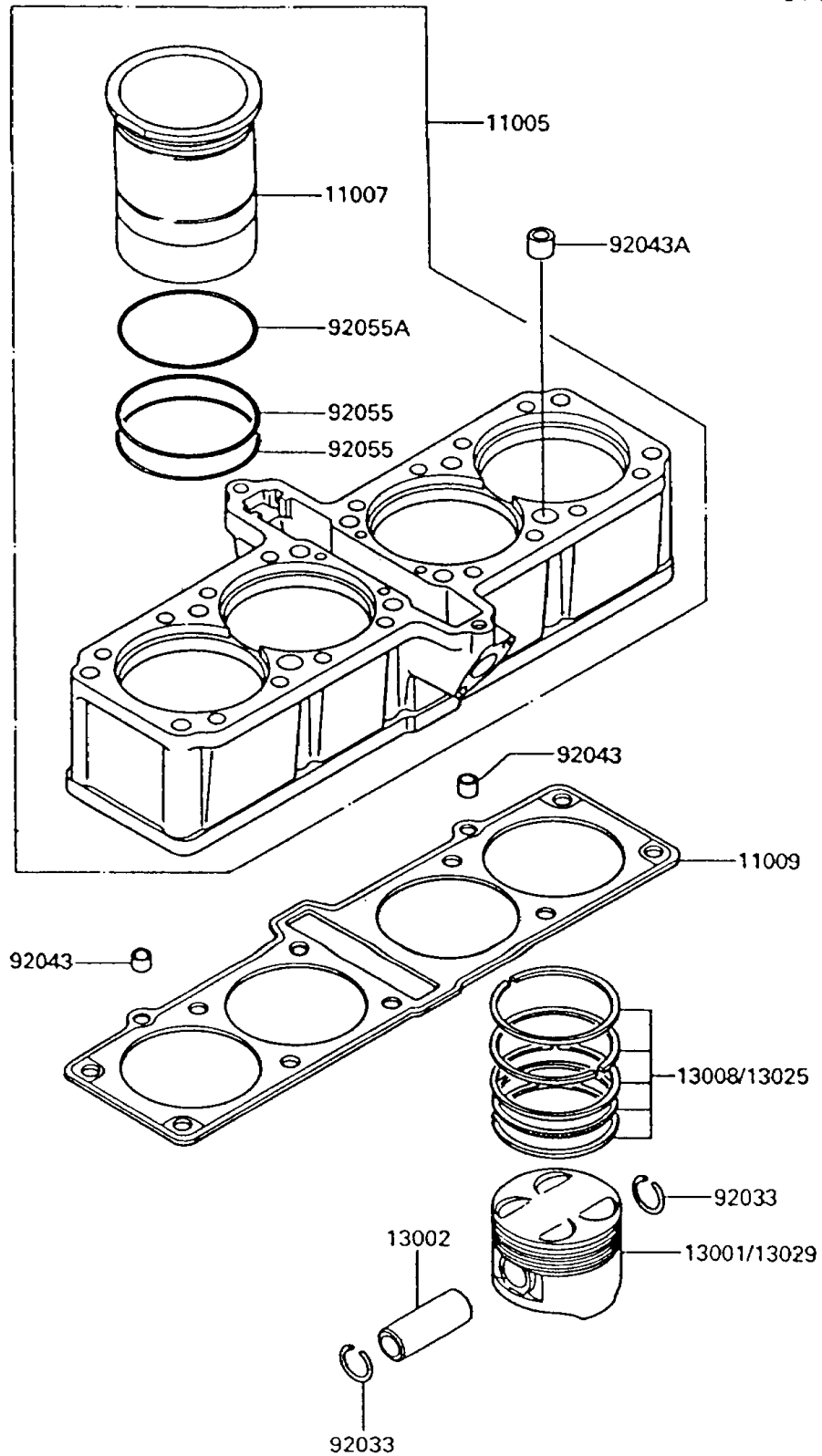


1992 Voyager® XII PARTS DIAGRAM

Cylinder/Piston(s)

E1120



1992 Voyager® XII PARTS LIST

Cylinder/Piston(s)

| ITEM NAME | PART NUMBER | QUANTITY |
|--|-------------|----------|
| CYLINDER-ENGINE (Ref # 11005) | 11005-1537 | 1 |
| LINER-CYLINDER (Ref # 11007) | 11007-1084 | 1 |
| GASKET,CYLINDER BASE (Ref # 11009) | 11009-1554 | 1 |
| PISTON-ENGINE,STD (Ref # 13001) | 13001-1222 | 1 |
| PIN-PISTON (Ref # 13002) | 13002-1060 | 1 |
| RING-SET-PISTON,STD (Ref # 13008) | 13008-1071 | 1 |
| RING-SNAP (Ref # 92033) | 92033-1207 | 1 |
| PIN,8.2X10X14 (Ref # 92043) | 92043-1264 | 1 |
| PIN,11.5X14X14 (Ref # 92043A) | 92043-1279 | 1 |
| RING-O,84.4X2.4 (Ref # 92055) | 92055-1323 | 1 |
| RING-O,82.5X2 (Ref # 92055A) | 92055-1331 | 1 |
| RING-SET-PISTON L,O/S 0.50 (Ref # 13025) | 13025-1070 | 1 |
| PISTON-ENGINE L,O/S 0.50 (Ref # 13029) | 13029-1143 | 1 |