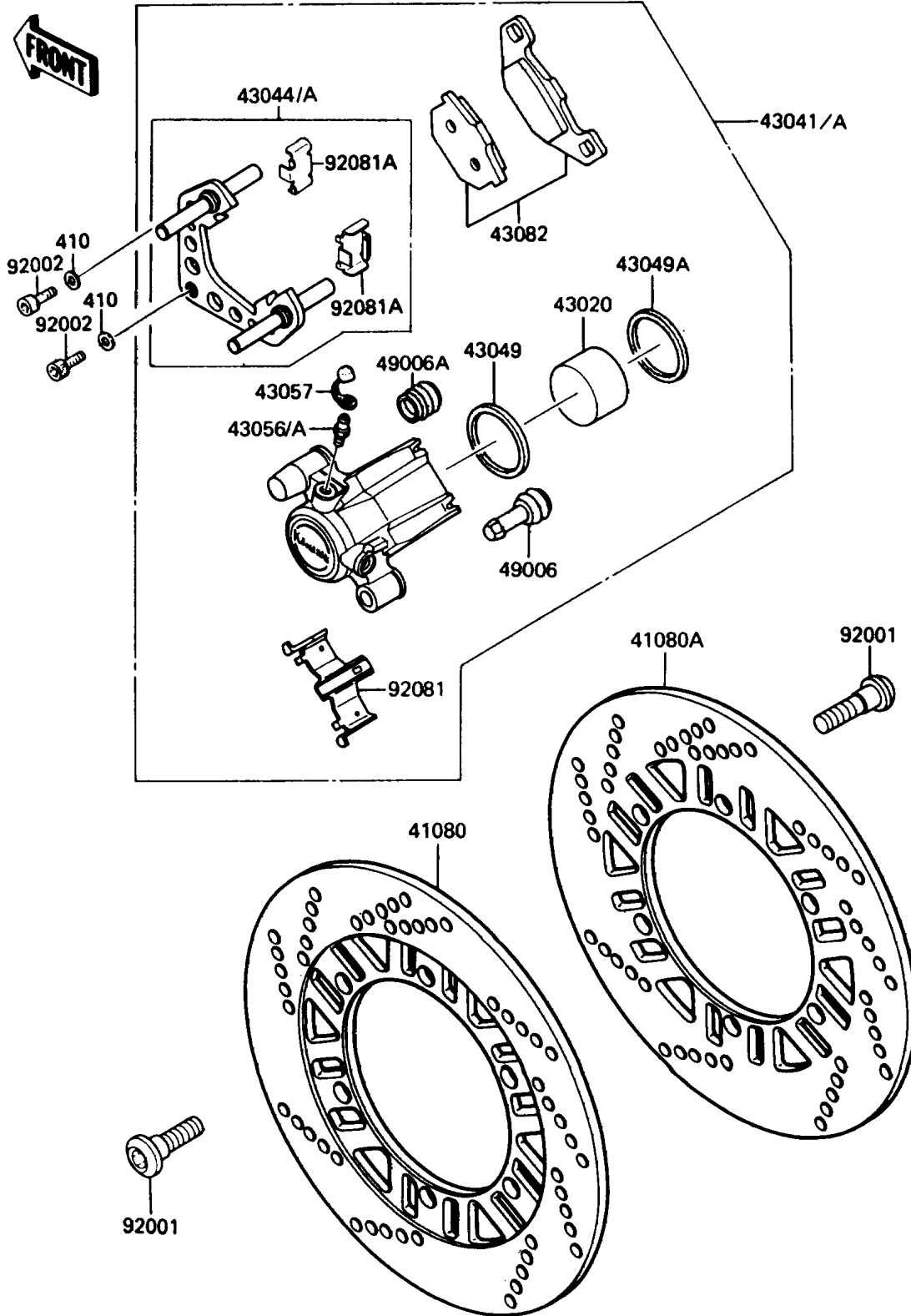


1989 PARTS DIAGRAM

Front Brake

F2292



1989 PARTS LIST

Front Brake

ITEM NAME	PART NUMBER	QUANTITY
DISC,FR,LH (Ref # 41080)	41080-1205	1
DISC,FR,RH (Ref # 41080A)	41080-1206	1
PISTON-COMP-BRAKE (Ref # 43020)	43020-1066	1
CALIPER-ASSY,FR,LH (Ref # 43041)	43041-1316	1
CALIPER-ASSY,FR,RH (Ref # 43041A)	43041-1317	1
HOLDER-COMP-CALIPER,FR,LH (Ref # 43044)	43044-1035	1
HOLDER-COMP-CALIPER,FR,RH (Ref # 43044A)	43044-1036	1
RING,PISTON SEAL (Ref # 43049)	43049-002	1
PACKING,PISTON (Ref # 43049A)	43049-1028	1
BREATHER (Ref # 43056)	43056-003	1
BREATHER-BRAKE (Ref # 43056A)	43056-1054	1
CAP-BREATHER (Ref # 43057)	43057-003	1
PAD-ASSY-BRAKE (Ref # 43082)	43082-1061	1
BOOT,CALIPER (Ref # 49006)	49006-1094	1
BOOT,CALIPER (Ref # 49006A)	49006-1095	1
BOLT,DISC PLATE,8X30 (Ref # 92001)	92001-1951	1
BOLT,SOCKET,10X33 (Ref # 92002)	92001-1901	1
SPRING,PAD (Ref # 92081)	92081-1525	1
SPRING,PAD STOPPER (Ref # 92081A)	92081-1661	1
WASHER-PLAIN-SMALL,10MM (Ref # 410)	410B1000	1