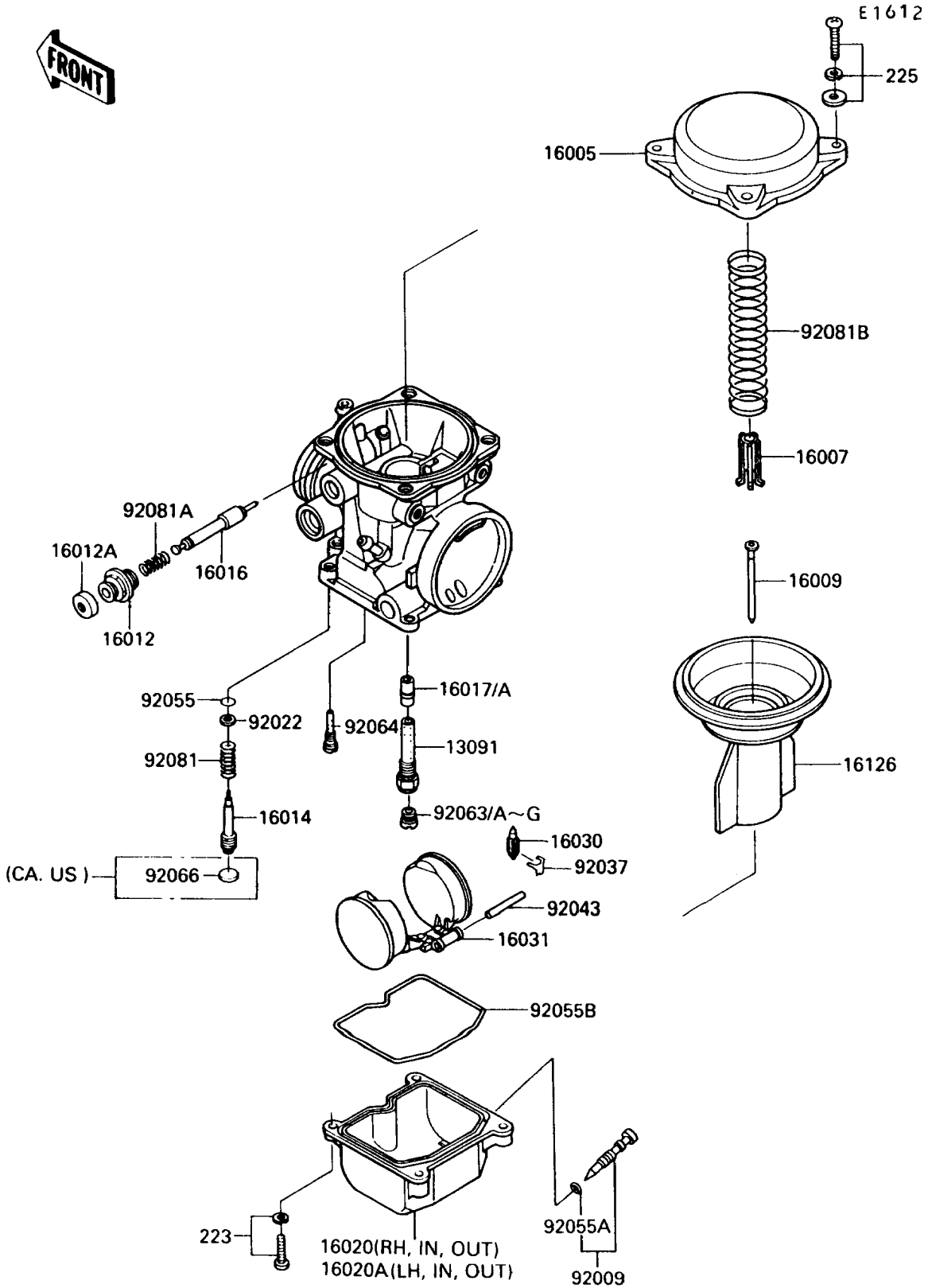


1989 PARTS DIAGRAM

Carburetor Parts



1989 PARTS LIST

Carburetor Parts

ITEM NAME	PART NUMBER	QUANTITY
HOLDER,NEEDLE JET (Ref # 13091)	13091-1259	1
TOP-CHAMBER,MIXING (Ref # 16005)	16005-1056	1
SEAT-SPRING,THROTTLE VALVE (Ref # 16007)	16007-1120	1
NEEDLE-JET,N52M (Ref # 16009)	16009-1326	1
CAP-STARTER PLUNGER (Ref # 16012)	16012-1051	1
CAP-STARTER PLUNGER (Ref # 16012A)	16012-1052	1
SCREW-PILOT AIR (Ref # 16014)	16014-1054	1
PLUNGER,STARTER (Ref # 16016)	16016-1061	1
JET-NEEDLE (Ref # 16017)	16017-1313	1
CHAMBER-FLOAT,RH,SIDE (Ref # 16020)	16020-1054	1
CHAMBER-FLOAT,LH,SIDE (Ref # 16020A)	16020-1055	1
VALVE-FLOAT (Ref # 16030)	16030-1007	1
FLOAT (Ref # 16031)	16031-1056	1
VALVE,VACUUM (Ref # 16126)	16126-1160	1
SCREW,DRAIN (Ref # 92009)	92009-1487	1
WASHER,PLAIN (Ref # 92022)	92022-1003	1
CLAMP,FLOAT VALVE (Ref # 92037)	16044-007	1
PIN,FLOAT (Ref # 92043)	92043-1207	1
RING-O,PILOT ADJUST (Ref # 92055)	92055-1002	1
RING-O,DRAIN SCREW (Ref # 92055A)	92055-1053	1
RING-O,FLOAT CHAMBER (Ref # 92055B)	92055-1222	1
JET-MAIN,2ND,#125 (Ref # 92063A)	92063-1069	1
JET-MAIN,#120 (Ref # 92063B)	92063-1072	1
JET-MAIN,2ND,#122 (Ref # 92063C)	92063-1073	1
JET-MAIN,2ND,#128 (Ref # 92063D)	92063-1074	1
JET-MAIN,#130 (Ref # 92063F)	92063-1075	1
JET-PILOT,#35 (Ref # 92064)	92064-1101	1
SPRING,PILOT ADJUST SCREW (Ref # 92081)	92081-1002	1
SPRING,STARTER PLUNGER (Ref # 92081A)	92081-1761	1

1989 PARTS LIST

Carburetor Parts

ITEM NAME	PART NUMBER	QUANTITY
SPRING,VACUUM VALVE (Ref # 92081B)	92081-1925	1
SCREW-PAN-WS-CROS (Ref # 223)	223C0416	1
SCREW-PAN-WSP-CROS (Ref # 225)	225C0418	1