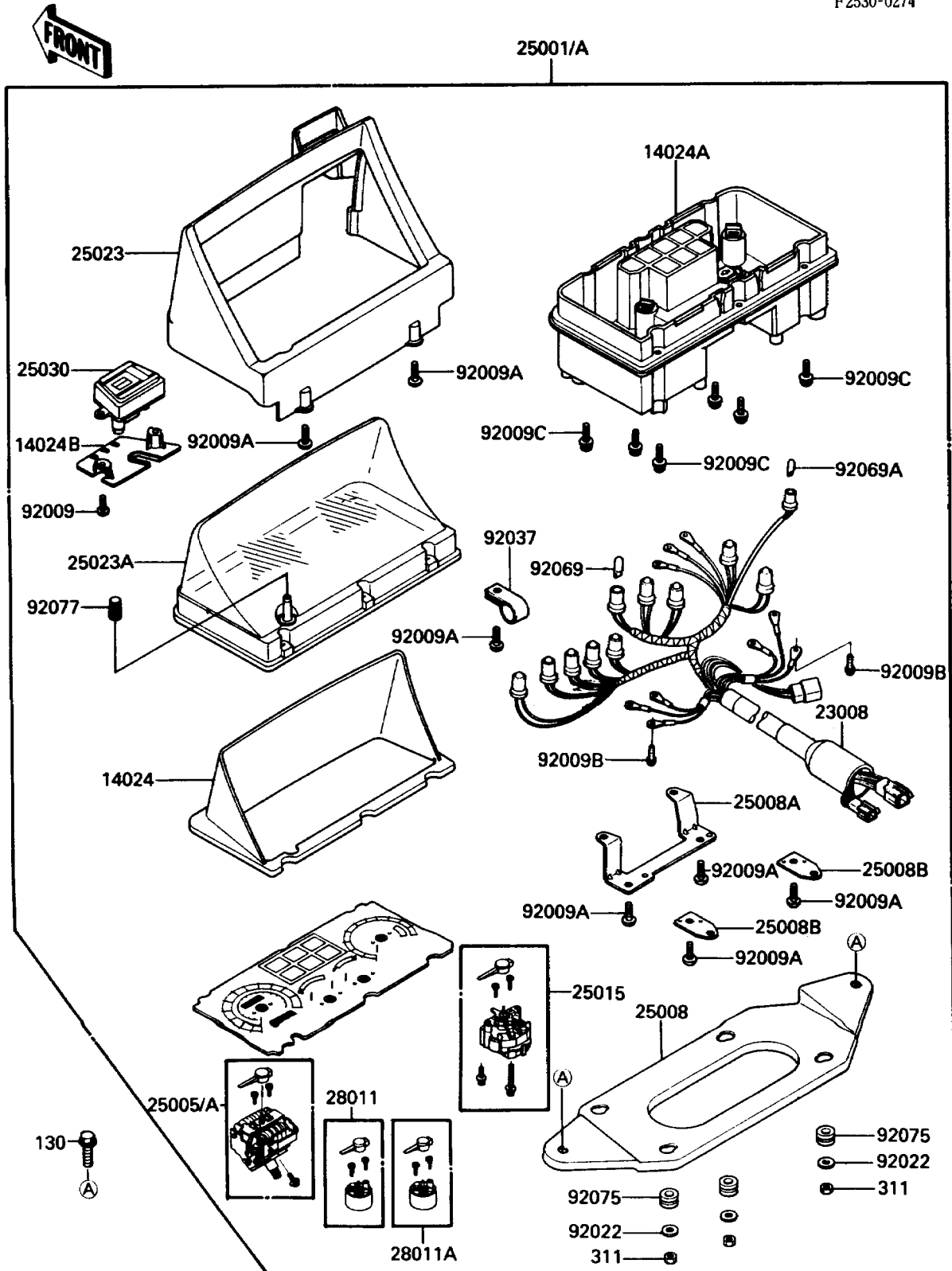


1986 Concours™ PARTS DIAGRAM

Meter(s)

F2530-0274



1986 Concours™ PARTS LIST

Meter(s)

| ITEM NAME | PART NUMBER | QUANTITY |
|---|-------------|----------|
| COVER,METER,UPP (Ref # 14024) | 14024-1179 | 1 |
| COVER,METER HOUSING (Ref # 14024A) | 14024-1338 | 1 |
| COVER,DEGITAL CLOCK (Ref # 14024B) | 14024-1339 | 1 |
| SOCKET-ASSY,METER (Ref # 23008) | 23008-1318 | 1 |
| METER-ASSY,MPH (Ref # 25001) | 25001-1641 | 1 |
| METER-ASSY,KPH (Ref # 25001A) | 25001-1663 | 1 |
| SPEEDOMETER,MPH (Ref # 25005) | 25005-1338 | 1 |
| SPEEDOMETER,KPH (Ref # 25005A) | 25005-1339 | 1 |
| BRACKET-METER (Ref # 25008) | 25008-1131 | 1 |
| BRACKET-METER,UPP (Ref # 25008A) | 25008-1132 | 1 |
| BRACKET-METER,LWR (Ref # 25008B) | 25008-1133 | 1 |
| TACHOMETER,X1000R/MIN (Ref # 25015) | 25015-1262 | 1 |
| COVER-METER CASE,UPP (Ref # 25023) | 25023-1147 | 1 |
| COVER-METER CASE,UPP (Ref # 25023A) | 25023-1149 | 1 |
| CLOCK,DEGITAL (Ref # 25030) | 25030-1001 | 1 |
| METER,FUEL (Ref # 28011) | 28011-1088 | 1 |
| METER,TEMP (Ref # 28011A) | 28011-1089 | 1 |
| SCREW,TAPPING,4X14,YELLOW (Ref # 92009) | 92009-1140 | 1 |
| SCREW,TAPPING,4X16 (Ref # 92009A) | 92009-1163 | 1 |
| SCREW,3X22 (Ref # 92009B) | 92009-1293 | 1 |
| SCREW,3X10 (Ref # 92009C) | 92009-1382 | 1 |
| WASHER,5.2X16X1.2 (Ref # 92022) | 92022-263 | 1 |
| CLAMP,METER (Ref # 92037) | 92037-1818 | 1 |
| BULB,12V 3.4W (Ref # 92069) | 92069-1007 | 1 |
| BULB,12V3W T-7 (Ref # 92069A) | 92069-1020 | 1 |
| DAMPER (Ref # 92075) | 92075-1805 | 1 |
| KNOB,RESET TRIP (Ref # 92077) | 92077-1017 | 1 |
| BOLT-FLANGED,6X12 (Ref # 130) | 130C0612 | 1 |
| NUT-HEX (Ref # 311) | 311B0500 | 1 |