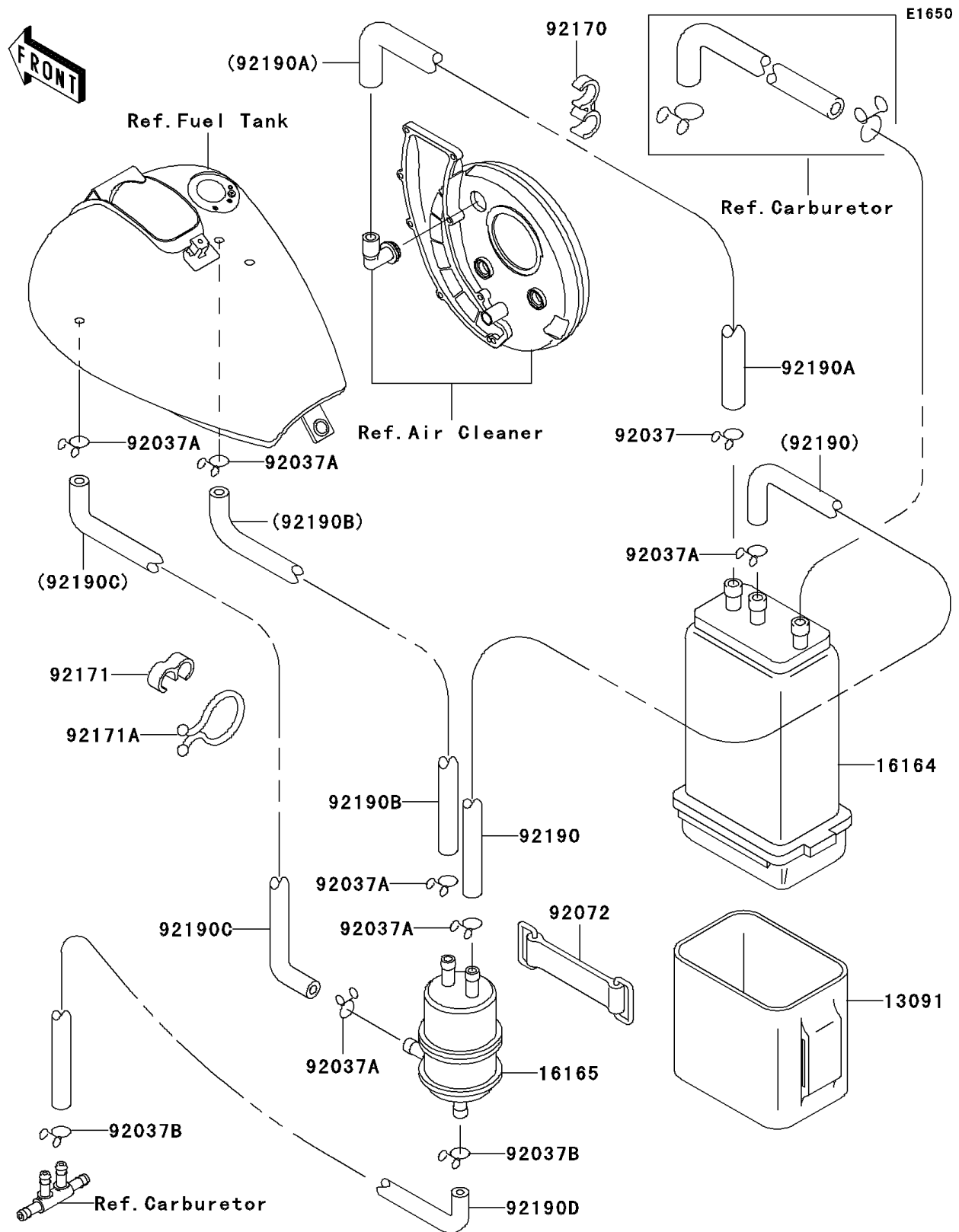


2006 Vulcan® 800 Drifter® PARTS DIAGRAM

Fuel Evaporative System(CA)



2006 Vulcan® 800 Drifter® PARTS LIST

Fuel Evaporative System(CA)

ITEM NAME	PART NUMBER	QUANTITY
HOLDER,CANISTER (Ref # 13091)	13091-1308	1
CANISTER (Ref # 16164)	16164-1052	1
SEPARATOR (Ref # 16165)	16165-1001	1
CLAMP,HOSE (Ref # 92037)	92037-1104	1
CLAMP,TUBE (Ref # 92037A)	92037-147	1
CLAMP (Ref # 92037B)	92037-1610	1
BAND,L=50 (Ref # 92072)	92072-1419	1
CLAMP,TUBE (Ref # 92170)	92170-1353	1
CLAMP (Ref # 92171)	92171-1184	1
CLAMP (Ref # 92171A)	92171-1185	1
TUBE,CANISTER-SEPA (Ref # 92190)	92190-1618	1
TUBE,7X12X540,GREEN (Ref # 92190A)	92190-1619	1
TUBE,SEPA-TANK (Ref # 92190B)	92190-1620	1
TUBE,SEPA-TANK (Ref # 92190C)	92190-1621	1
TUBE,SEPA-FITTING (Ref # 92190D)	92190-1622	1