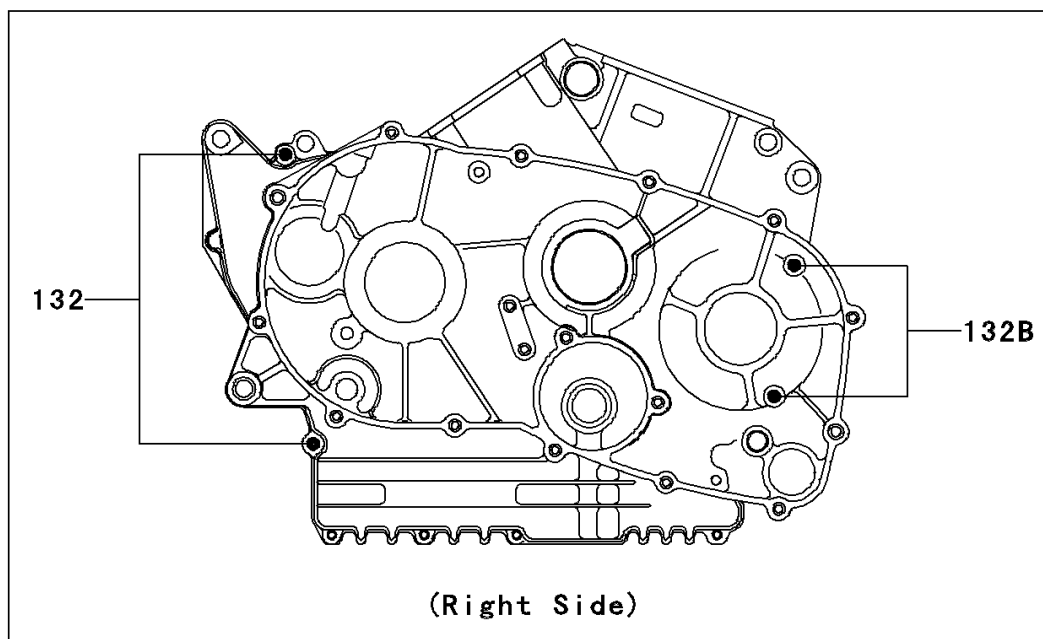
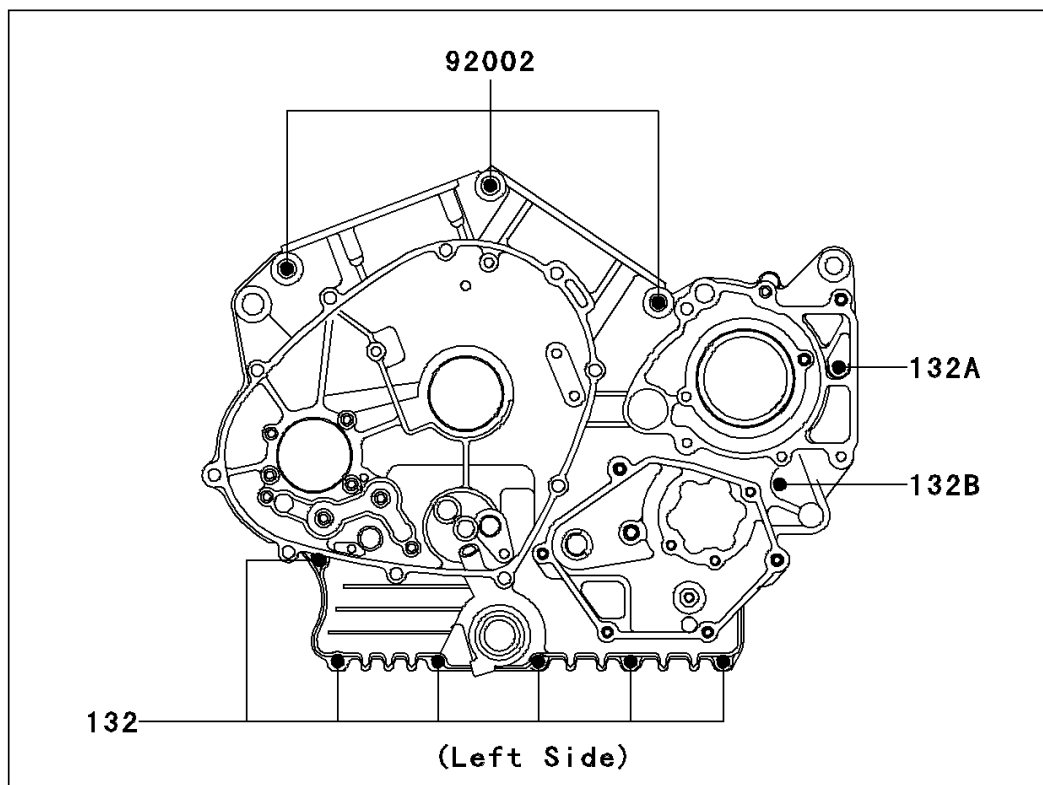


2006 Vulcan® 800 Drifter® PARTS DIAGRAM

Crankcase Bolt Pattern

E1412



2006 Vulcan® 800 Drifter® PARTS LIST

Crankcase Bolt Pattern

ITEM NAME	PART NUMBER	QUANTITY
BOLT-FLANGED-SMALL,6X30 (Ref # 132)	132J0630	1
BOLT-FLANGED-SMALL,6X40 (Ref # 132A)	132J0640	1
BOLT-FLANGED-SMALL,6X60 (Ref # 132B)	132J0660	1
BOLT,10X80 (Ref # 92002)	92002-1542	1