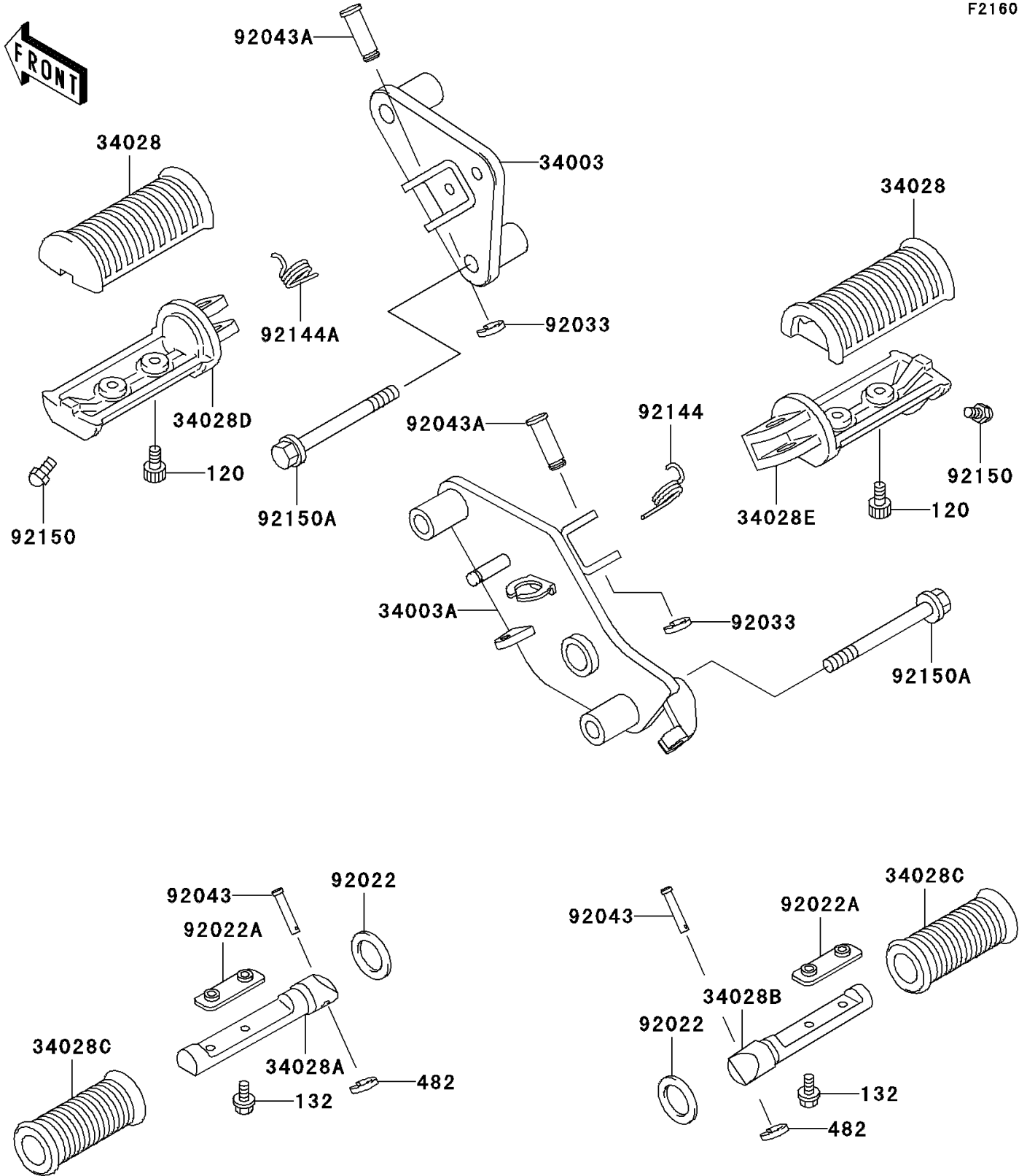


1996 Vulcan® 800 Classic PARTS DIAGRAM

Footrests

F2160



1996 Vulcan® 800 Classic PARTS LIST

Footrests

ITEM NAME	PART NUMBER	QUANTITY
BOLT-SOCKET (Ref # 120)	120S0512	1
BOLT-FLANGED-SMALL (Ref # 132)	132J0510	1
CIRCLIP-TYPE-E (Ref # 482)	482L7000	1
HOLDER-STEP,FR,LH (Ref # 34003)	34003-1413	1
HOLDER-STEP,FR,RH (Ref # 34003A)	34003-1414	1
STEP,FR,RUBBER (Ref # 34028)	34028-1217	1
STEP,RR,LH (Ref # 34028A)	34028-1219	1
STEP,RR,RH (Ref # 34028B)	34028-1220	1
STEP,RR,RUBBER (Ref # 34028C)	34028-1221	1
STEP,FR,LH (Ref # 34028D)	34028-1407	1
STEP,FR,RH (Ref # 34028E)	34028-1408	1
WASHER,20X30X2.3 (Ref # 92022)	92022-1568	1
WASHER,STEP (Ref # 92022A)	92022-1874	1
RING-SNAP,10MM (Ref # 92033)	92033-1166	1
PIN,8X36.5 (Ref # 92043)	92043-1339	1
PIN,12X37 (Ref # 92043A)	92043-1358	1
SPRING,STEP RETURN (Ref # 92144)	92144-1126	1
SPRING,STEP RETURN (Ref # 92144A)	92144-1210	1
BOLT,BANK SENSOR (Ref # 92150)	92150-1114	1
BOLT,FLANGED,10X55 (Ref # 92150A)	92150-1897	1