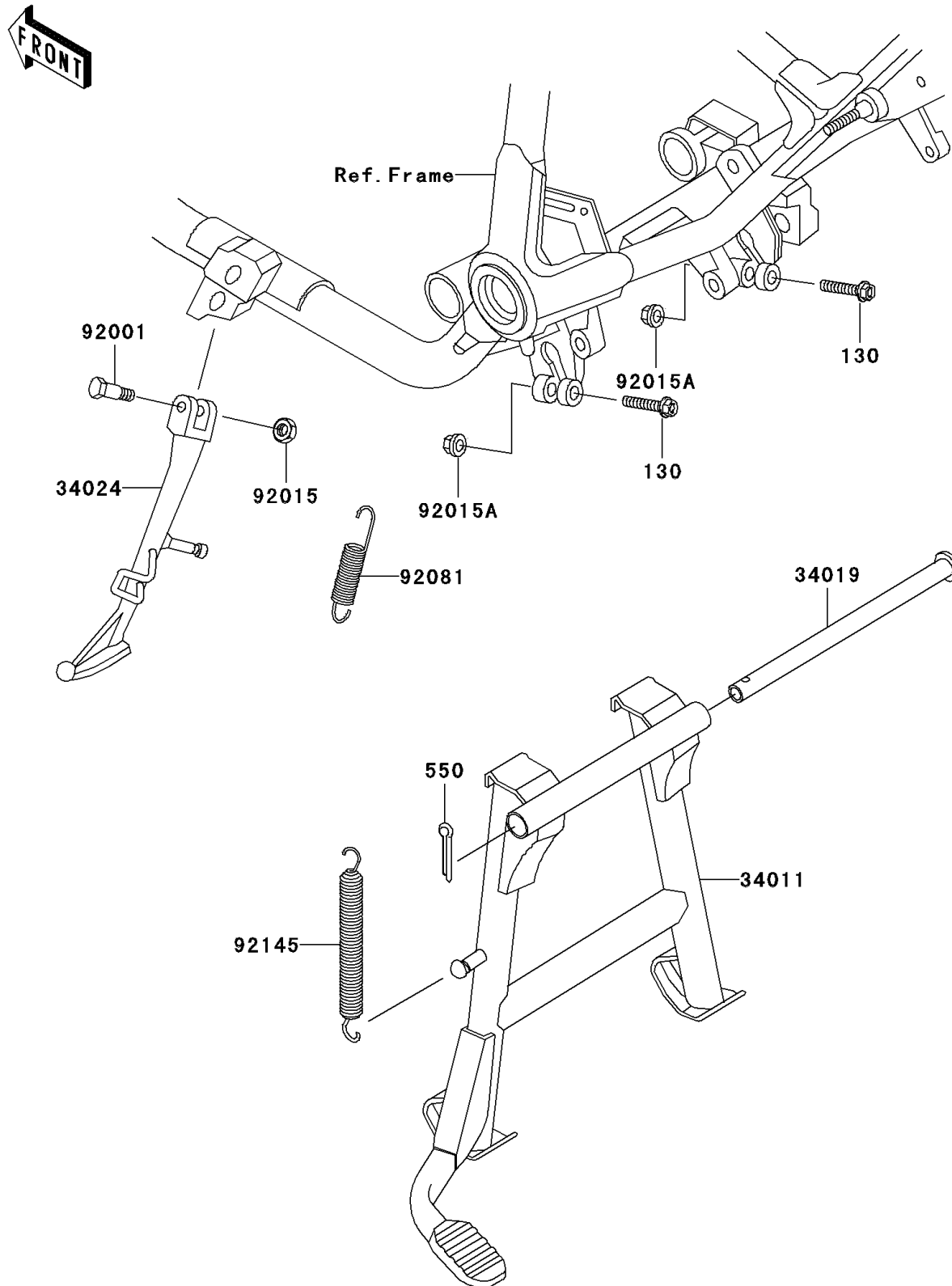


2006 Vulcan® 750 PARTS DIAGRAM

Stand(s)

F2190



2006 Vulcan® 750 PARTS LIST

Stand(s)

| ITEM NAME | PART NUMBER | QUANTITY |
|-------------------------------------|-------------|----------|
| BOLT-FLANGED,8X40 (Ref # 130) | 130L0840 | 1 |
| PIN-COTTER,3.0X30 (Ref # 550) | 550D3030 | 1 |
| STAND-CENTER (Ref # 34011) | 34011-1126 | 1 |
| SHAFT-STAND (Ref # 34019) | 34019-1051 | 1 |
| STAND-SIDE (Ref # 34024) | 34024-1201 | 1 |
| BOLT,SIDE STAND,BLACK (Ref # 92001) | 92001-1543 | 1 |
| NUT,LOCK,10MM,BLACK (Ref # 92015) | 92015-1188 | 1 |
| NUT,FLANGED,8MM (Ref # 92015A) | 92015-1409 | 1 |
| SPRING,SIDE STAND (Ref # 92081) | 92081-1894 | 1 |
| SPRING,CENTER STAND (Ref # 92145) | 92145-0104 | 1 |