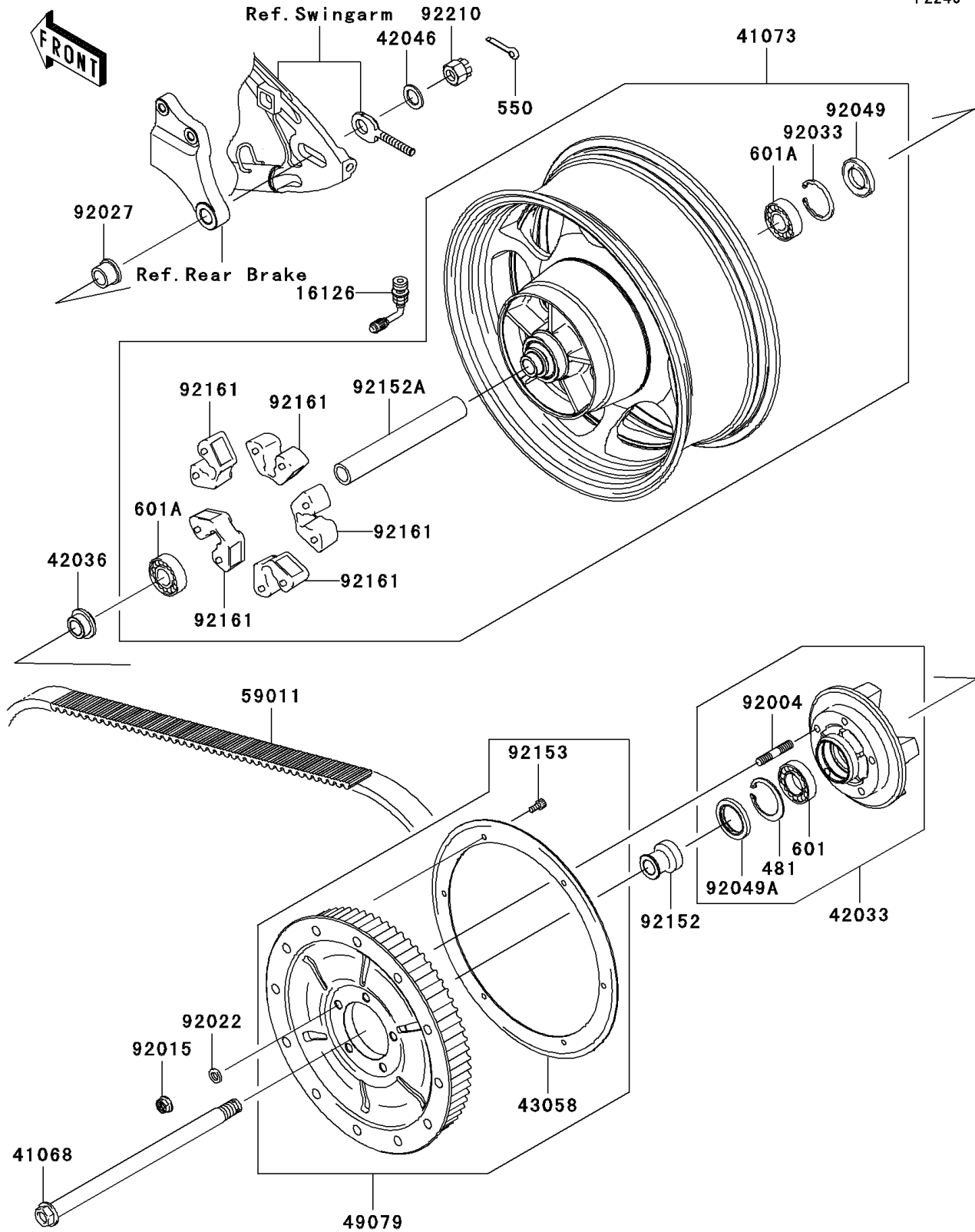


2005 Vulcan® 2000 Limited PARTS DIAGRAM

Rear Wheel/Chain

F2240



2005 Vulcan® 2000 Limited PARTS LIST

Rear Wheel/Chain

ITEM NAME	PART NUMBER	QUANTITY
CIRCLIP (Ref # 481)	481J5500	1
PIN-COTTER,4.0X35 (Ref # 550)	550D4035	1
BEARING-BALL (Ref # 601)	601B6006UU	1
BEARING-BALL,#6304UUC3 (Ref # 601A)	601B6304UU	1
VALVE (Ref # 16126)	16126-1365	1
AXLE,RR (Ref # 41068)	41068-0007	1
WHEEL-ASSY,RR (Ref # 41073)	41073-0047	1
COUPLING-ASSY,RR HUB (Ref # 42033)	42033-0017	1
SLEEVE,RR HUB COUPLING,L=22 (Ref # 42036)	42036-1366	1
WASHER,21X33X2.6 (Ref # 42046)	42046-003	1
RING,REAR PULLEY (Ref # 43058)	43058-0004	1
PULLEY-BELT (Ref # 49079)	49079-0009	1
BELT,DRIVE,133T (Ref # 59011)	59011-0004	1
STUD,10X35 (Ref # 92004)	92004-0016	1
NUT,FLANGED,10MM (Ref # 92015)	92015-1335	1
WASHER,10.5X19X3.2 (Ref # 92022)	92022-1820	1
COLLAR,RR AXLE,L=21.5 (Ref # 92027)	92027-1902	1
RING-SNAP,52MM (Ref # 92033)	92033-1043	1
SEAL-OIL,28X52X5 (Ref # 92049)	92049-1061	1
SEAL-OIL,PJN40556 (Ref # 92049A)	92049-1263	1
COLLAR,RR AXLE,LH,L=41 (Ref # 92152)	92152-0050	1
COLLAR,RR HUB,L=210 (Ref # 92152A)	92152-0051	1
BOLT,SOCKET,6X12 (Ref # 92153)	92153-0827	1
DAMPER,SHOCK,RR HUB (Ref # 92161)	92161-0043	1
NUT,CASTLE,18MM (Ref # 92210)	92210-1134	1