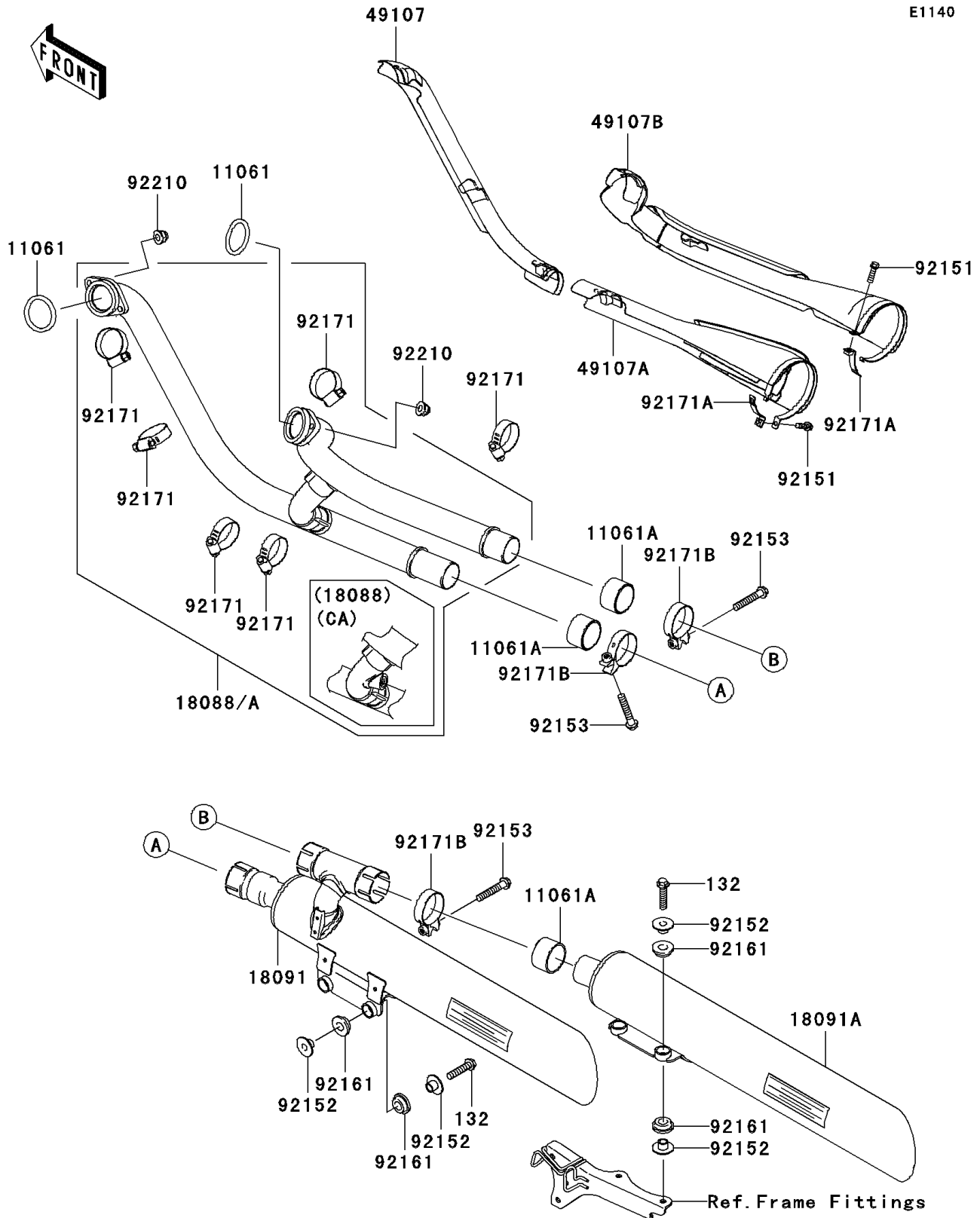


2005 Vulcan® 2000 Limited PARTS DIAGRAM

Muffler(s)

E1140



2005 Vulcan® 2000 Limited PARTS LIST

Muffler(s)

ITEM NAME	PART NUMBER	QUANTITY
BOLT-FLANGED-SMALL (Ref # 132)	132L0835	1
GASKET,EXHAUST PIPE (Ref # 11061)	11061-0013	1
GASKET,MUFFLER CONNECTING (Ref # 11061A)	11061-0023	1
BODY-COMP-MUFFLER,LWR (Ref # 18091)	18091-0172	1
BODY-COMP-MUFFLER,UPP (Ref # 18091A)	18091-0173	1
COVER-EXHAUST PIPE,FR,F (Ref # 49107)	49107-0005	1
COVER-EXHAUST PIPE,FR,R (Ref # 49107A)	49107-0033	1
COVER-EXHAUST PIPE,RR (Ref # 49107B)	49107-0048	1
BOLT,6X20 (Ref # 92151)	92151-1252	1
COLLAR,8.8X12X10.6 (Ref # 92152)	92152-0082	1
BOLT,8X45 (Ref # 92153)	92153-0702	1
DAMPER (Ref # 92161)	92161-0135	1
CLAMP (Ref # 92171)	92171-0072	1
CLAMP (Ref # 92171A)	92171-0294	1
CLAMP (Ref # 92171B)	92171-0358	1
NUT,CAP,8MM (Ref # 92210)	92210-1132	1
PIPE-EXHAUST (Ref # 18088)	18088-0144	1
PIPE-EXHAUST (Ref # 18088A)	18088-0145	1