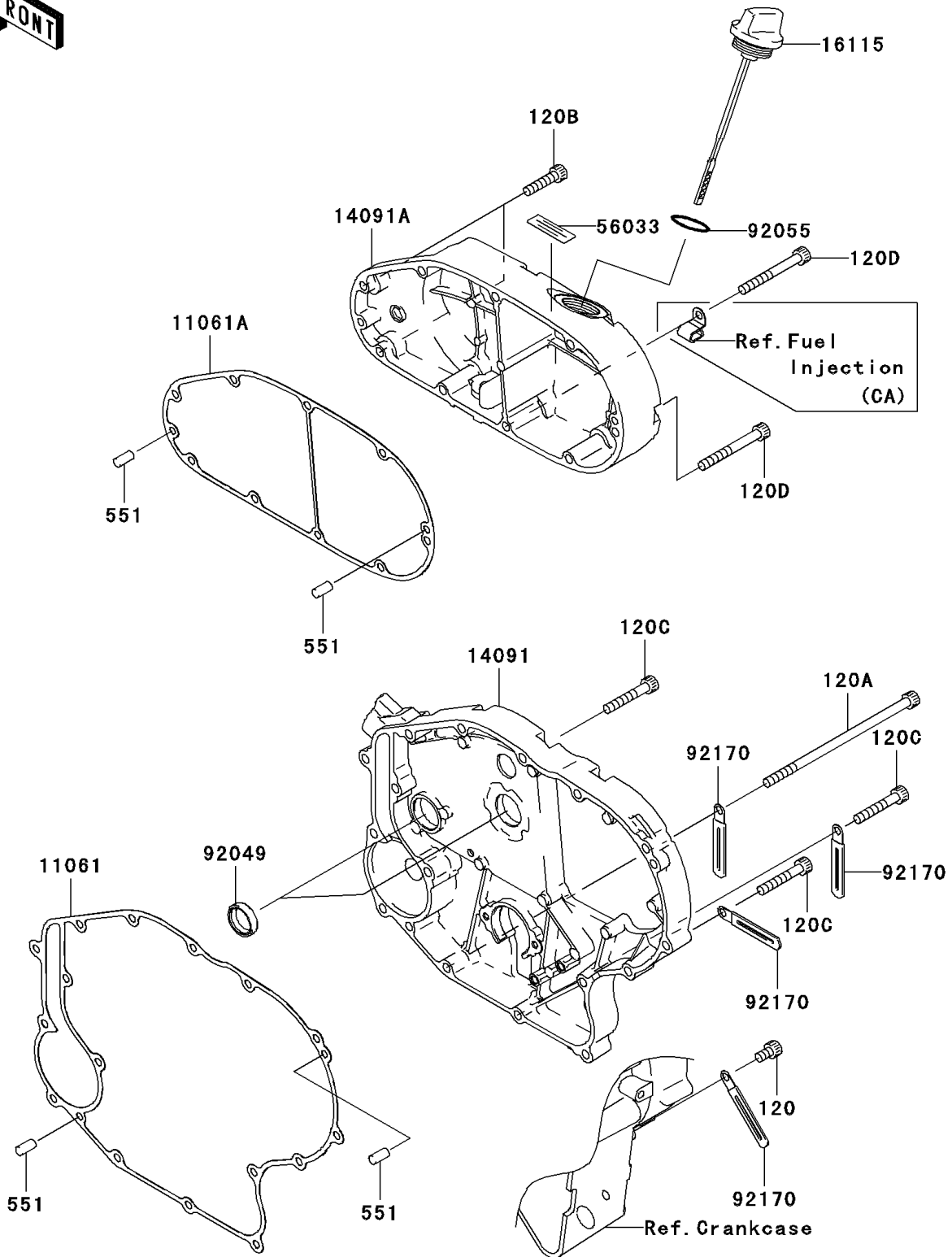


2006 Vulcan® 2000 PARTS DIAGRAM

Right Engine Cover(s)

E1436



2006 Vulcan® 2000 PARTS LIST

Right Engine Cover(s)

| ITEM NAME | PART NUMBER | QUANTITY |
|--|-------------|----------|
| BOLT-SOCKET,6X10 (Ref # 120) | 120R0610 | 1 |
| BOLT-SOCKET,6X125 (Ref # 120A) | 120R06125 | 1 |
| BOLT-SOCKET,6X25 (Ref # 120B) | 120R0625 | 1 |
| BOLT-SOCKET,6X35 (Ref # 120C) | 120R0635 | 1 |
| BOLT-SOCKET,6X50 (Ref # 120D) | 120R0650 | 1 |
| PIN-DOWEL,6X12 (Ref # 551) | 551A0612 | 1 |
| GASKET,TRANSMISSION,INSIDE (Ref # 11061) | 11061-0017 | 1 |
| GASKET,TRANSMISSION,OUTSIDE (Ref # 11061A) | 11061-0018 | 1 |
| COVER,TRANSMISSION,INSIDE (Ref # 14091) | 14091-0251 | 1 |
| COVER,TRANSMISSION OUTSIDE (Ref # 14091A) | 14091-0263 | 1 |
| CAP-OIL FILLER (Ref # 16115) | 16115-0010 | 1 |
| LABEL-MANUAL,OIL CAPACITY (Ref # 56033) | 56033-0050 | 1 |
| SEAL-OIL,20X26X6 (Ref # 92049) | 92049-0019 | 1 |
| RING-O,31.7X2.4 (Ref # 92055) | 92055-049 | 1 |
| CLAMP (Ref # 92170) | 92170-1514 | 1 |