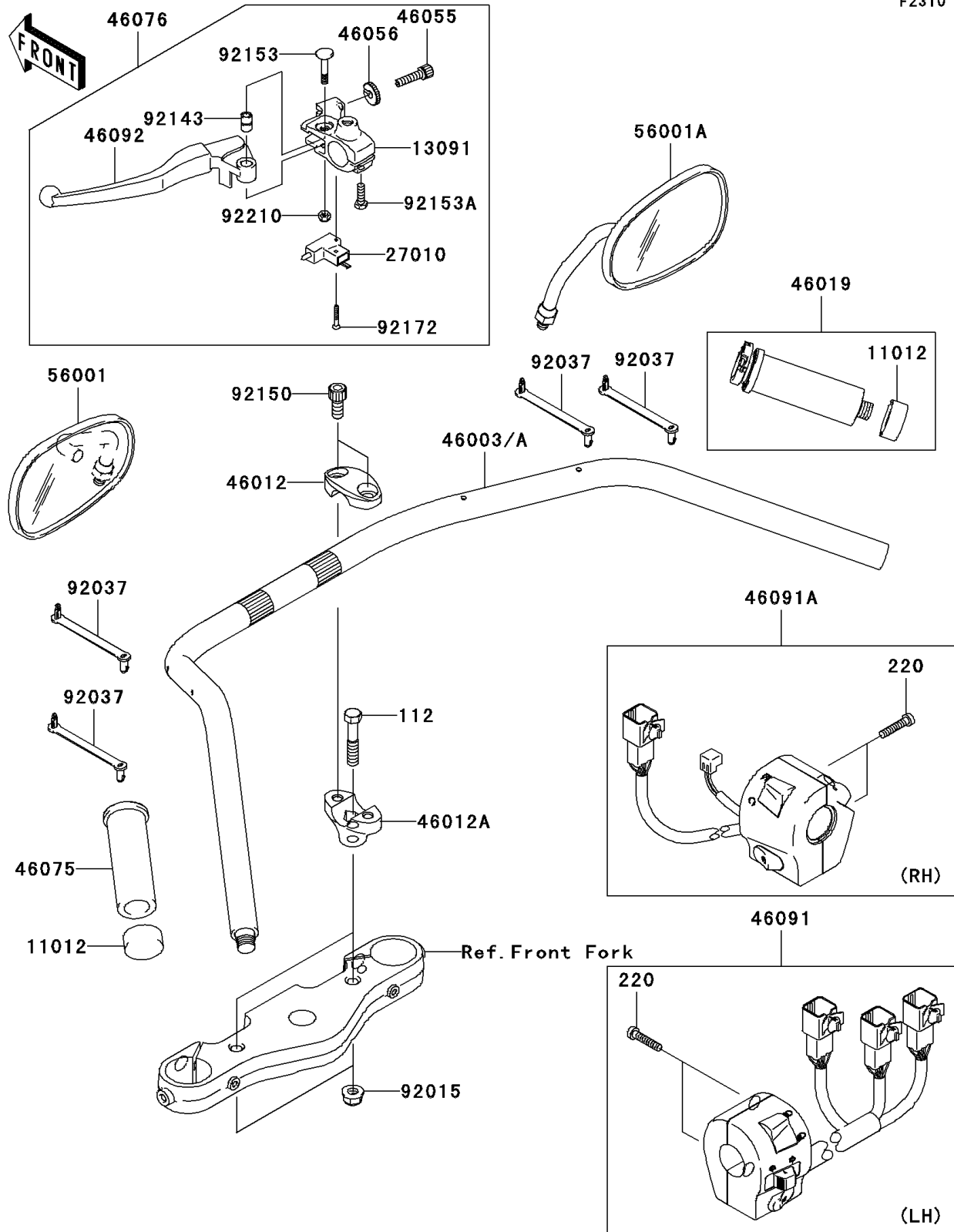


2004 Vulcan® 2000 PARTS DIAGRAM

Handlebar

F2310



2004 Vulcan® 2000 PARTS LIST

Handlebar

ITEM NAME	PART NUMBER	QUANTITY
BOLT-UPSET,10X50 (Ref # 112)	112L1050	1
SCREW-PAN-CROSS,5X25 (Ref # 220)	220R0525	1
CAP,GRIP END (Ref # 11012)	11012-1975	1
HOLDER,CLUTCH LEVER (Ref # 13091)	13091-1632	1
SWITCH,CLUTCH (Ref # 27010)	27010-1268	1
HANDLE (Ref # 46003)	46003-0047	1
HOLDER-HANDLE,UPP (Ref # 46012)	46012-0003	1
HOLDER-HANDLE,LWR (Ref # 46012A)	46012-0004	1
GRIP-ASSY,THROTTLE (Ref # 46019)	46019-1109	1
SCREW,CABLE ADJUST,8MM (Ref # 46055)	46055-003	1
NUT,CABLE ADJUST LOCK,8MM (Ref # 46056)	46056-005	1
GRIP,LH (Ref # 46075)	46075-1074	1
LEVER-ASSY-GRIP,CLUTCH (Ref # 46076)	46076-0010	1
HOUSING-ASSY-CONTROL,LH (Ref # 46091)	46091-0013	1
HOUSING-ASSY-CONTROL,RH (Ref # 46091A)	46091-0034	1
LEVER-GRIP,CLUCTH (Ref # 46092)	46092-1204	1
MIRROR-ASSY,LH (Ref # 56001)	56001-0032	1
MIRROR-ASSY,RH (Ref # 56001A)	56001-0033	1
NUT,LOCK,FLANGED,10MM (Ref # 92015)	92015-1717	1
CLAMP,SPEED,L=58 (Ref # 92037)	92037-1163	1
COLLAR (Ref # 92143)	92143-1351	1
BOLT,SOCKET,10X23 (Ref # 92150)	92150-1942	1
BOLT,LEVER SET (Ref # 92153)	92153-0716	1
BOLT,6X20 (Ref # 92153A)	92153-0721	1
SCREW,3X20 (Ref # 92172)	92172-0164	1
NUT,LOCK,6MM (Ref # 92210)	92210-0006	1