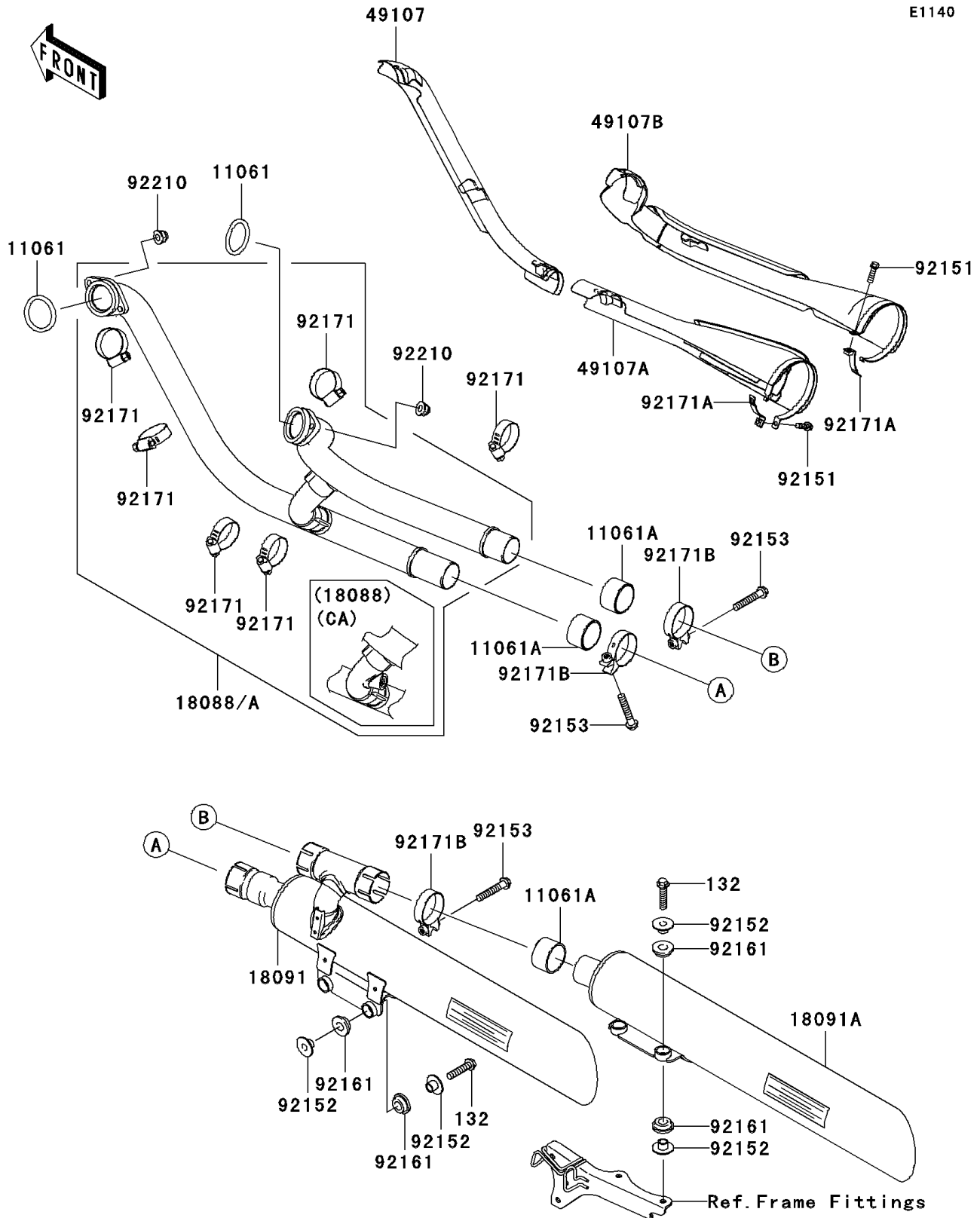


2004 Vulcan® 2000 PARTS DIAGRAM

Muffler(s)

E1140



2004 Vulcan® 2000 PARTS LIST

Muffler(s)

| ITEM NAME | PART NUMBER | QUANTITY |
|--|-------------|----------|
| BOLT-FLANGED-SMALL,8X35 (Ref # 132) | 132L0835 | 1 |
| GASKET,EXHAUST PIPE (Ref # 11061) | 11061-0013 | 1 |
| GASKET,MUFFLER CONNECTING (Ref # 11061A) | 11061-0023 | 1 |
| BODY-COMP-MUFFLER,LWR (Ref # 18091) | 18091-0139 | 1 |
| BODY-COMP-MUFFLER,UPP (Ref # 18091A) | 18091-0173 | 1 |
| COVER-EXHAUST PIPE,FR,F (Ref # 49107) | 49107-0005 | 1 |
| COVER-EXHAUST PIPE,FR,R (Ref # 49107A) | 49107-0033 | 1 |
| COVER-EXHAUST PIPE,RR (Ref # 49107B) | 49107-0048 | 1 |
| BOLT,FLANGED-SMALL,M6X20 (Ref # 92151) | 92151-1252 | 1 |
| COLLAR,8.8X12X10.6 (Ref # 92152) | 92152-0082 | 1 |
| BOLT,8X45 (Ref # 92153) | 92153-0702 | 1 |
| DAMPER (Ref # 92161) | 92161-0135 | 1 |
| CLAMP (Ref # 92171) | 92171-0072 | 1 |
| CLAMP (Ref # 92171A) | 92171-0294 | 1 |
| CLAMP (Ref # 92171B) | 92171-0358 | 1 |
| NUT,CAP,8MM (Ref # 92210) | 92210-1132 | 1 |
| PIPE-EXHAUST (Ref # 18088) | 18088-0132 | 1 |
| PIPE-EXHAUST (Ref # 18088A) | 18088-0133 | 1 |