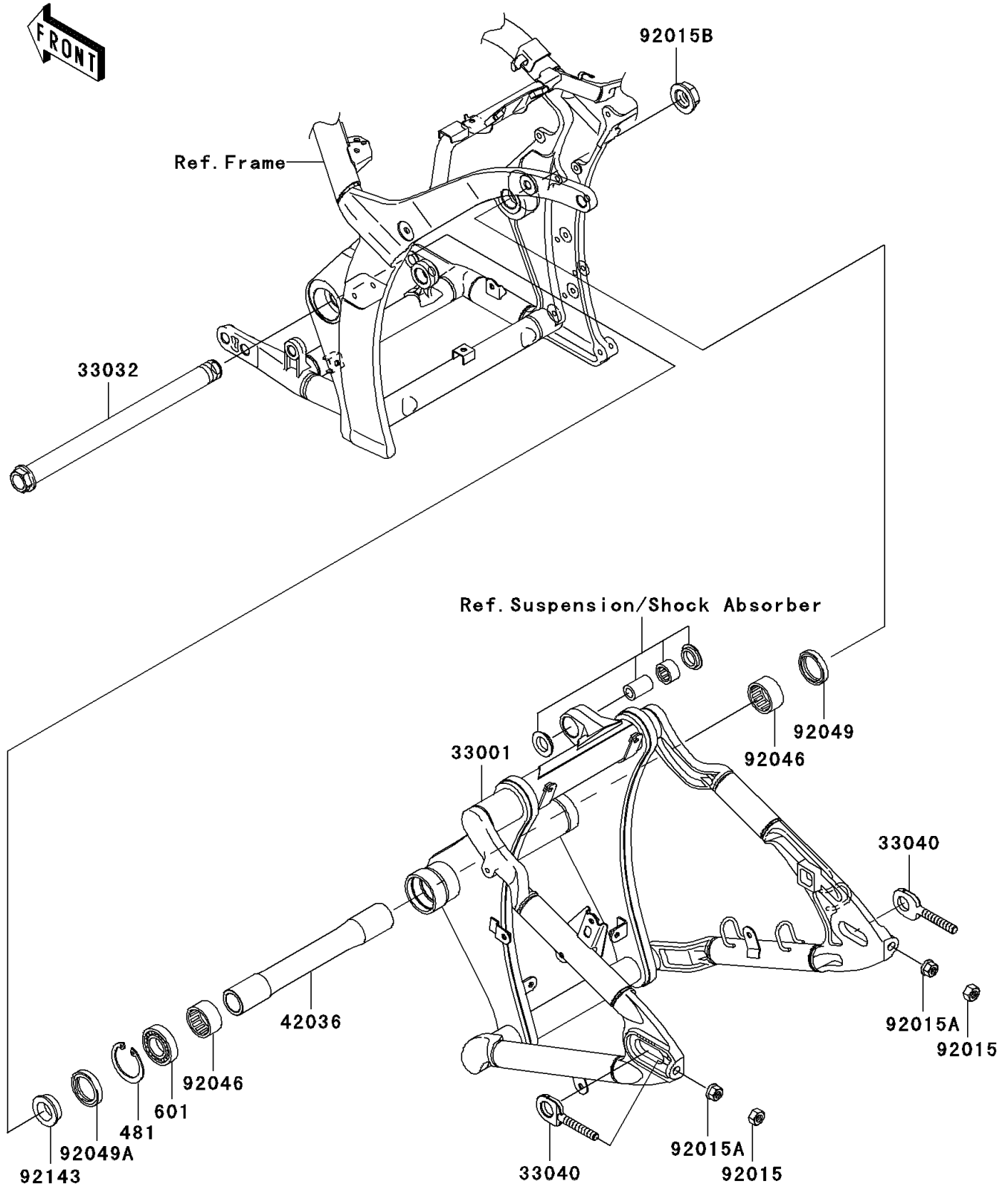


2008 Vulcan® 2000 PARTS DIAGRAM

Swingarm

F2141



2008 Vulcan® 2000 PARTS LIST

Swingarm

| ITEM NAME | PART NUMBER | QUANTITY |
|--|----------------|----------|
| CIRCLIP-TYPE-C,47MM (Ref # 481) | 481J4700 | 1 |
| BEARING-BALL,#6005UU (Ref # 601) | 601B6005UU | 1 |
| ARM-COMP-SWING,F.S.BLACK (Ref # 33001) | 33001-0147-18R | 1 |
| SHAFT-SWING ARM (Ref # 33032) | 33032-0004 | 1 |
| ADJUSTER-CHAIN (Ref # 33040) | 33040-0005 | 1 |
| SLEEVE,SWING ARM,L=266.5 (Ref # 42036) | 42036-0007 | 1 |
| NUT,LOCK,10MM (Ref # 92015) | 92015-1494 | 1 |
| NUT,FLANGED,10MM (Ref # 92015A) | 92015-1727 | 1 |
| NUT,FLANGED,25MM (Ref # 92015B) | 92015-1845 | 1 |
| BEARING-NEEDLE,BM3520 (Ref # 92046) | 92046-1205 | 1 |
| SEAL-OIL,KC35X45X6 (Ref # 92049) | 92049-0017 | 1 |
| SEAL-OIL,MHA 35X47X5 (Ref # 92049A) | 92049-1381 | 1 |
| COLLAR,SWING ARM,L=12.5 (Ref # 92143) | 92143-1481 | 1 |