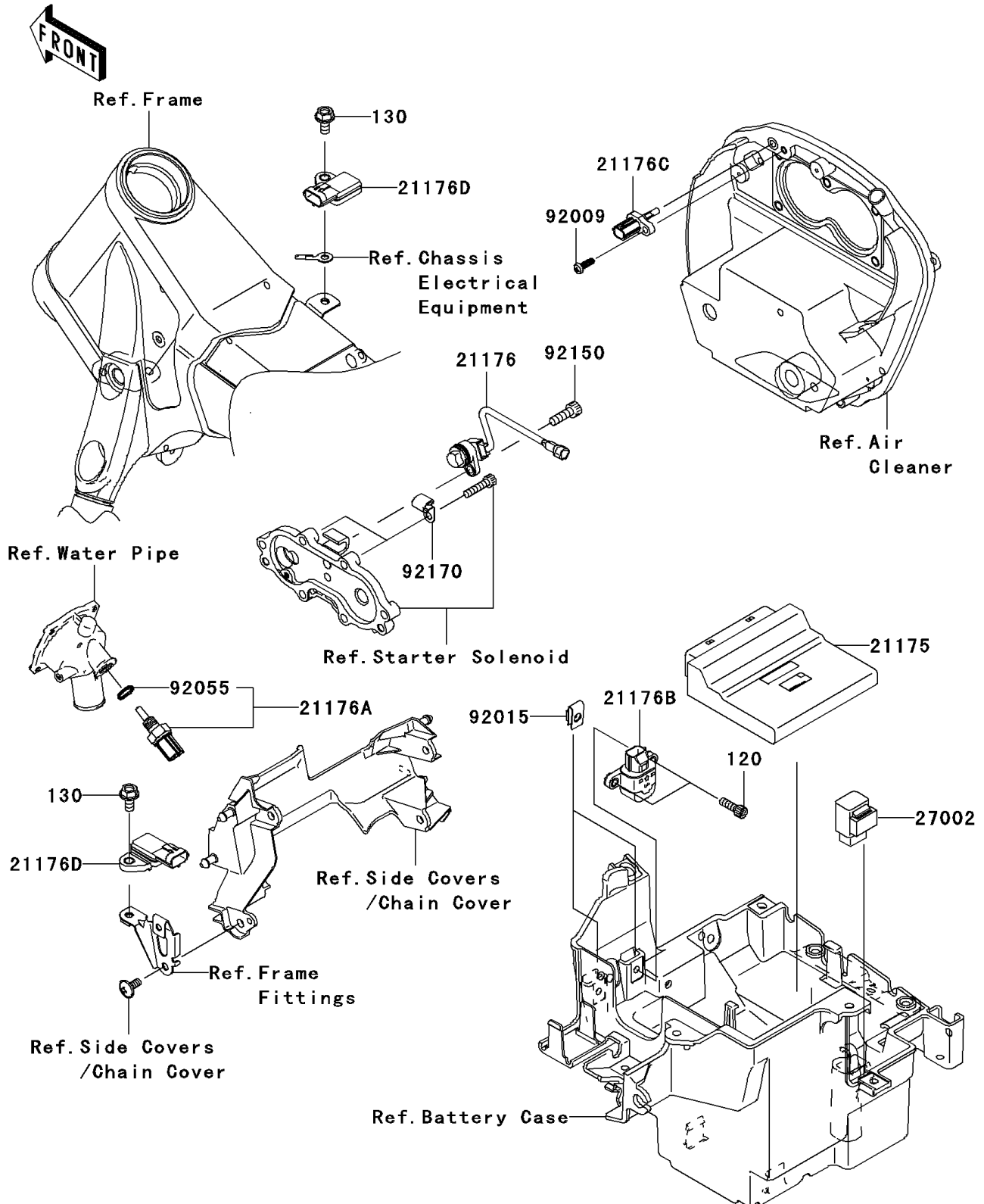


## 2008 Vulcan® 2000 PARTS DIAGRAM

Fuel Injection

E1530



## 2008 Vulcan® 2000 PARTS LIST

Fuel Injection

ITEM NAME	PART NUMBER	QUANTITY
BOLT-SOCKET,5X16 (Ref # 120)	120CB0516	1
BOLT-FLANGED,6X12 (Ref # 130)	130BB0612	1
CONTROL UNIT-ELECTRONIC (Ref # 21175)	21175-0160	1
SENSOR,CAM ANGLE (Ref # 21176)	21176-0007	1
SENSOR,WATER TEMP (Ref # 21176A)	21176-0009	1
SENSOR (Ref # 21176B)	21176-0025	1
SENSOR,AIR TEMPERATURE (Ref # 21176C)	21176-0048	1
SENSOR,PRESSURE (Ref # 21176D)	21176-0058	1
RELAY-ASSY (Ref # 27002)	27002-1062	1
SCREW,TAPPING,5X16 (Ref # 92009)	92009-1984	1
NUT,5MM (Ref # 92015)	92015-1710	1
RING-O,9.5X1.9 (Ref # 92055)	92055-0016	1
BOLT,SOCKET,6X18 (Ref # 92150)	92150-3775	1
CLAMP (Ref # 92170)	92170-1804	1