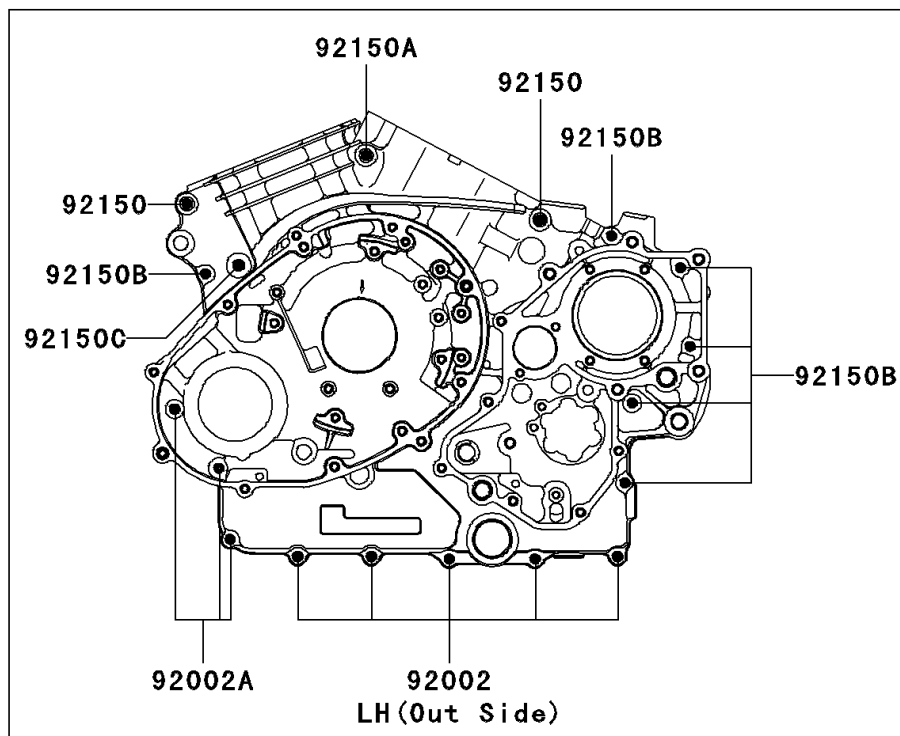
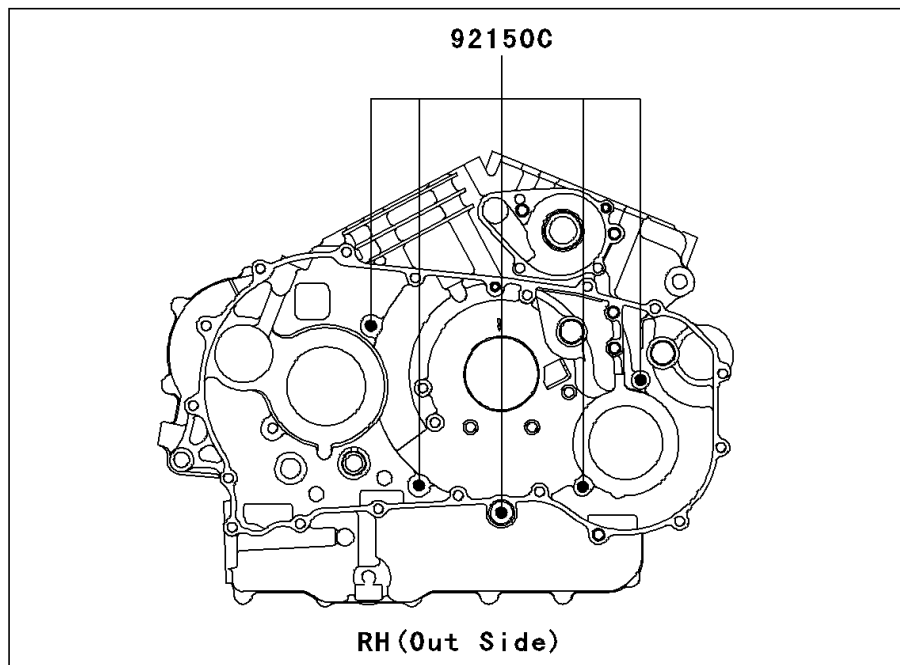


2006 Vulcan® 1500 Classic PARTS DIAGRAM

Crankcase Bolt Pattern

E1412



2006 Vulcan® 1500 Classic PARTS LIST

Crankcase Bolt Pattern

ITEM NAME	PART NUMBER	QUANTITY
BOLT,FLANGED,6X40 (Ref # 92002)	92002-1566	1
BOLT,FLANGED,6X80 (Ref # 92002A)	92002-1568	1
BOLT,10X105 (Ref # 92150)	92150-1993	1
BOLT,10X115 (Ref # 92150A)	92150-1994	1
BOLT,6X70 (Ref # 92150B)	92150-1995	1
BOLT,8X90 (Ref # 92150C)	92150-1996	1