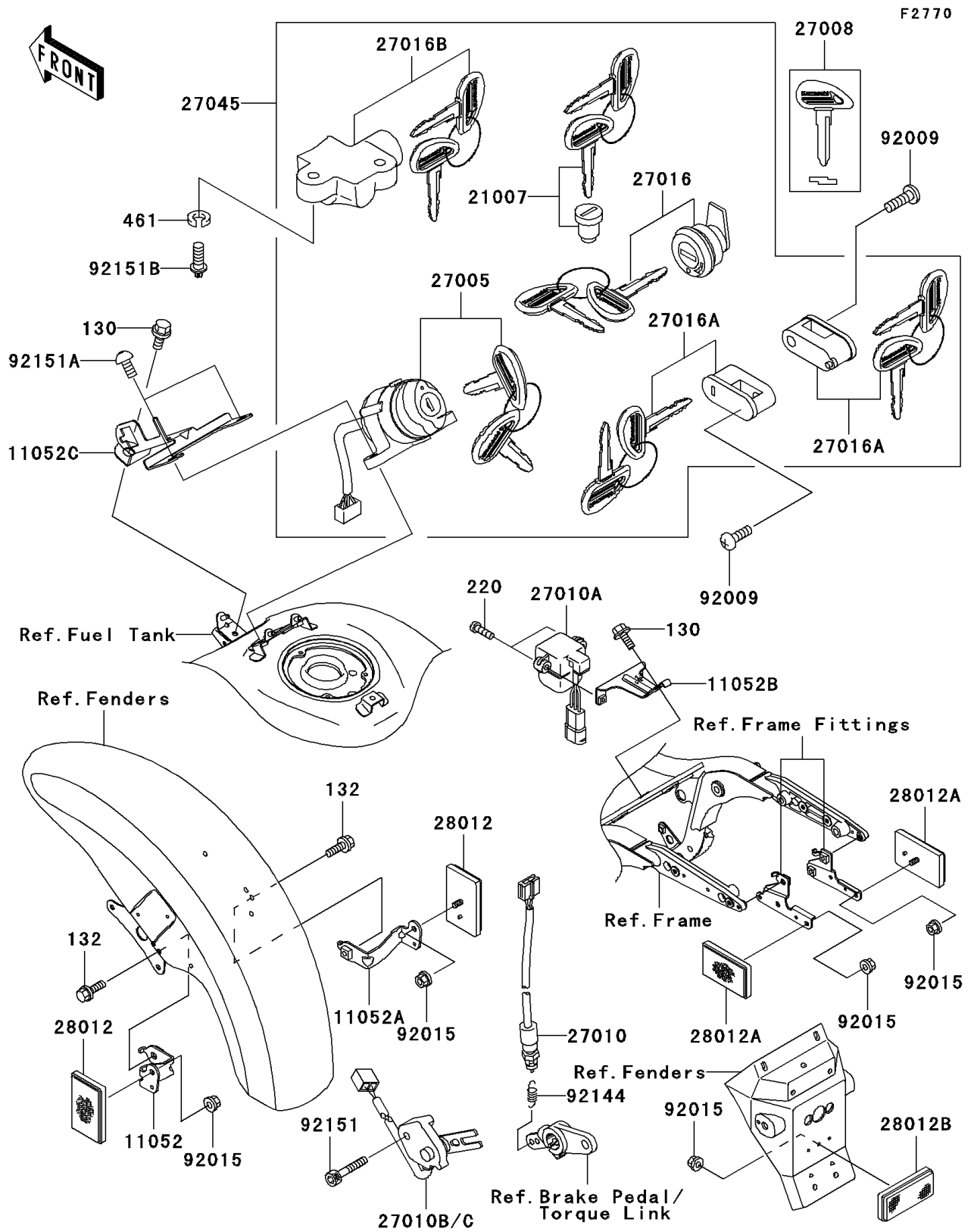


## 2002 Vulcan® 1500 Mean Streak® PARTS DIAGRAM

Ignition Switch/Locks/Reflectors



## 2002 Vulcan® 1500 Mean Streak® PARTS LIST

Ignition Switch/Locks/Reflectors

ITEM NAME	PART NUMBER	QUANTITY
BOLT-FLANGED (Ref # 130)	130J0610	1
BOLT-FLANGED-SMALL (Ref # 132)	132Y0612	1
SCREW-PAN-CROS,4X20 (Ref # 220)	220C0420	1
WASHER-SPRING (Ref # 461)	461L0600	1
BRACKET,REFLECTOR,FR,LH (Ref # 11052)	11052-1284	1
BRACKET,REFLECTOR,FR,RH (Ref # 11052A)	11052-1285	1
BRACKET,DOWN SENSOR (Ref # 11052B)	11052-1302	1
BRACKET,IGNITION SWITCH (Ref # 11052C)	11052-1494	1
ROTOR,LOCK,TANK CAP (Ref # 21007)	21007-5049	1
SWITCH-ASSY-IGNITION (Ref # 27005)	27005-1258	1
KEY-LOCK,BLANK (Ref # 27008)	27008-1211	1
SWITCH,REAR BRAKE (Ref # 27010)	27010-1412	1
SWITCH,DOWN SENSOR (Ref # 27010A)	27010-1416	1
SWITCH,SIDE STAND (Ref # 27010B)	27010-1438	1
LOCK-ASSY,LID (Ref # 27016)	27016-5279	1
LOCK-ASSY,HELMET (Ref # 27016A)	27016-5280	1
LOCK-ASSY,STEERING (Ref # 27016B)	27016-5281	1
SWITCH-ASSY (Ref # 27045)	27045-5136	1
REFLECTOR-REFLEX,FR (Ref # 28012)	28012-1009	1
REFLECTOR-REFLEX,RR (Ref # 28012A)	28012-1051	1
REFLECTOR-REFLEX (Ref # 28012B)	28012-1077	1
SCREW,5X12 (Ref # 92009)	92009-1296	1
NUT,FLANGED,5MM (Ref # 92015)	92015-1656	1
SPRING,REAR BRAKE SWITCH (Ref # 92144)	92144-1141	1
BOLT,SOCKET,6X35 (Ref # 92151)	92151-1390	1
BOLT,SOCKET,6X16 (Ref # 92151A)	92151-1751	1
BOLT,TORX,6X22 (Ref # 92151B)	92151-1946	1