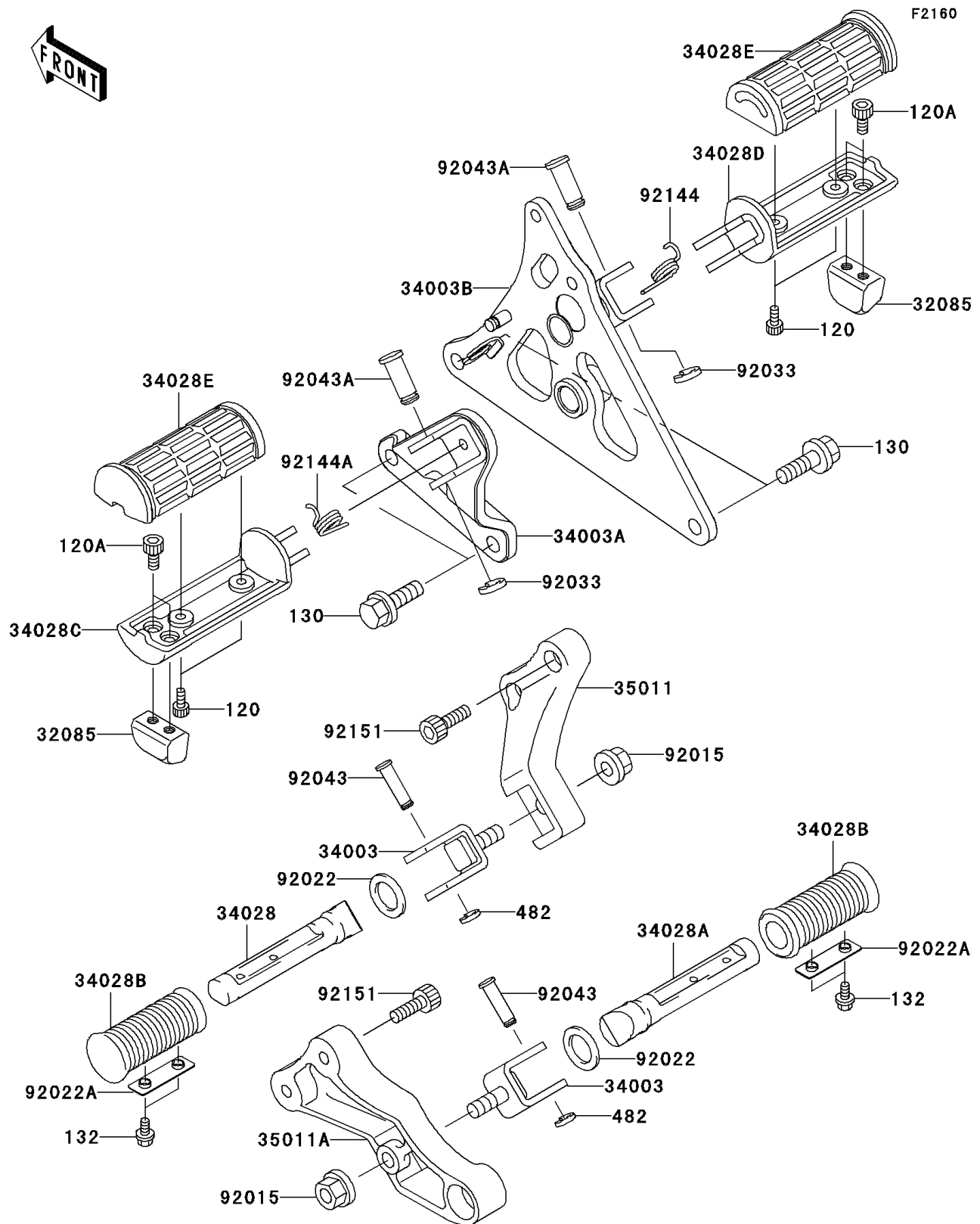


## 2002 Vulcan® 1500 Mean Streak® PARTS DIAGRAM

Footrests



## 2002 Vulcan® 1500 Mean Streak® PARTS LIST

Footrests

ITEM NAME	PART NUMBER	QUANTITY
BOLT-SOCKET (Ref # 120)	120S0512	1
BOLT-SOCKET,6X14,BLACK (Ref # 120A)	120S0614	1
BOLT-FLANGED,10X30 (Ref # 130)	130J1030	1
BOLT-FLANGED-SMALL (Ref # 132)	132J0510	1
CIRCLIP-TYPE-E (Ref # 482)	482L7000	1
STOPPER,BANK SENSOR (Ref # 32085)	32085-1534	1
HOLDER-STEP,RR (Ref # 34003)	34003-1292	1
HOLDER-STEP,FR,LH (Ref # 34003A)	34003-1506	1
HOLDER-STEP,FR,RH (Ref # 34003B)	34003-1507	1
STEP,RR,LH (Ref # 34028)	34028-1219	1
STEP,RR,RH (Ref # 34028A)	34028-1220	1
STEP,RR,RUBBER (Ref # 34028B)	34028-1221	1
STEP,FR,LH (Ref # 34028C)	34028-1519	1
STEP,FR,RH (Ref # 34028D)	34028-1520	1
STEP,RUBBER (Ref # 34028E)	34028-1522	1
STAY,REAR STEP,LH (Ref # 35011)	35011-1770	1
STAY,REAR STEP,RH (Ref # 35011A)	35011-1922	1
NUT,FLANGED,10MM (Ref # 92015)	92015-1428	1
WASHER,20X30X2.3 (Ref # 92022)	92022-1568	1
WASHER,STEP (Ref # 92022A)	92022-1874	1
RING-SNAP,10MM (Ref # 92033)	92033-1166	1
PIN,8X36.5 (Ref # 92043)	92043-1339	1
PIN,12X37 (Ref # 92043A)	92043-1358	1
SPRING,STEP RETURN (Ref # 92144)	92144-1126	1
SPRING,STEP RETURN (Ref # 92144A)	92144-1210	1
BOLT,SOCKET,8X25 (Ref # 92151)	92151-1525	1