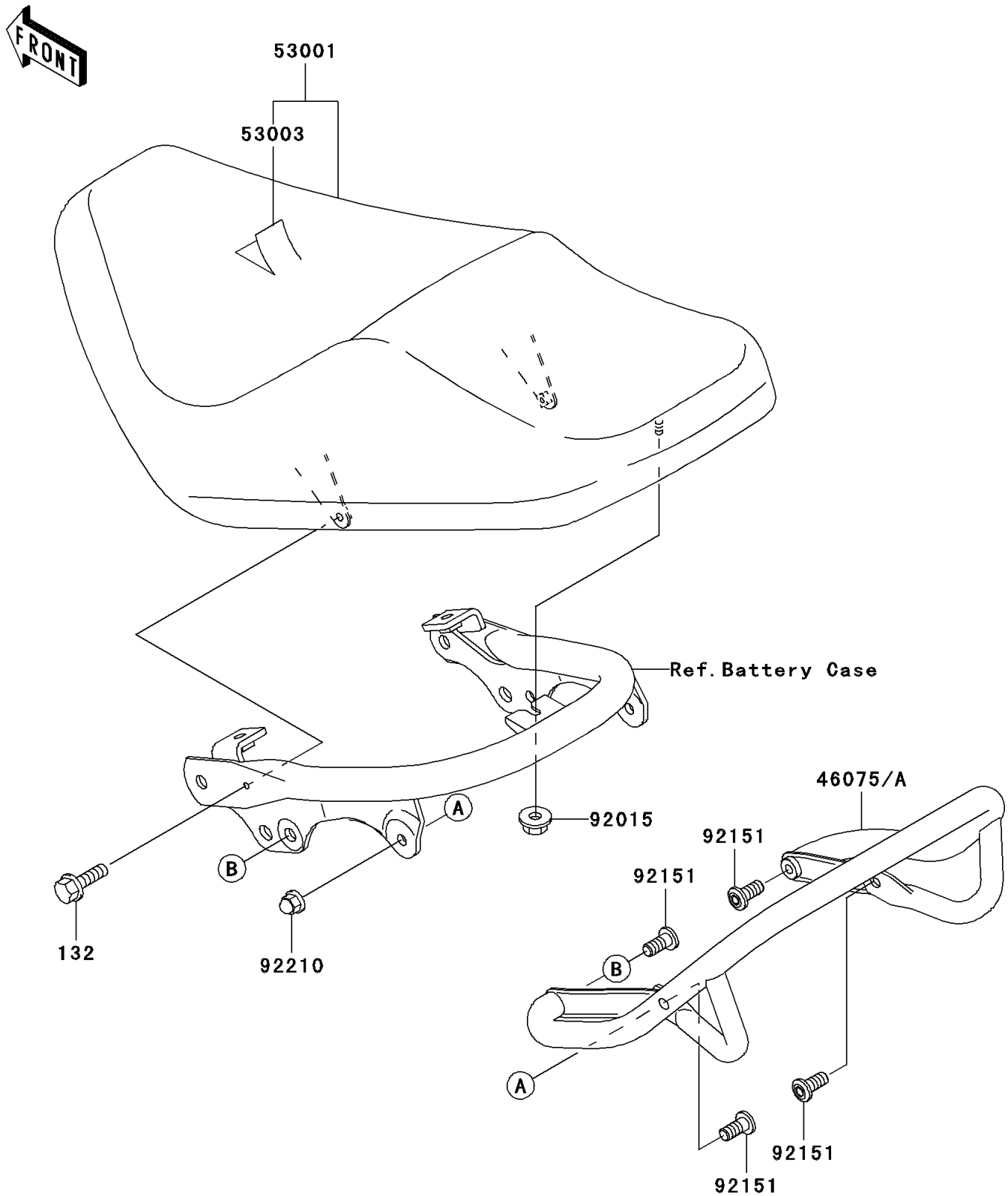


## 1999 Vulcan® 1500 Drifter® PARTS DIAGRAM

Seat

F2510



## 1999 Vulcan® 1500 Drifter® PARTS LIST

Seat

ITEM NAME	PART NUMBER	QUANTITY
BOLT-FLANGED-SMALL (Ref # 132)	132J0614	1
GRIP (Ref # 46075)	46075-1169	1
SEAT-ASSY,DUAL,BLACK (Ref # 53001)	53001-1886-MA	1
LEATHER,SEAT,BLACK (Ref # 53003)	53003-1431-MA	1
NUT,LOCK,FLANGED,6MM (Ref # 92015)	92015-1603	1
BOLT,SOCKET,10X22 (Ref # 92151)	92151-1577	1
NUT,CAP,10MM (Ref # 92210)	92210-1189	1