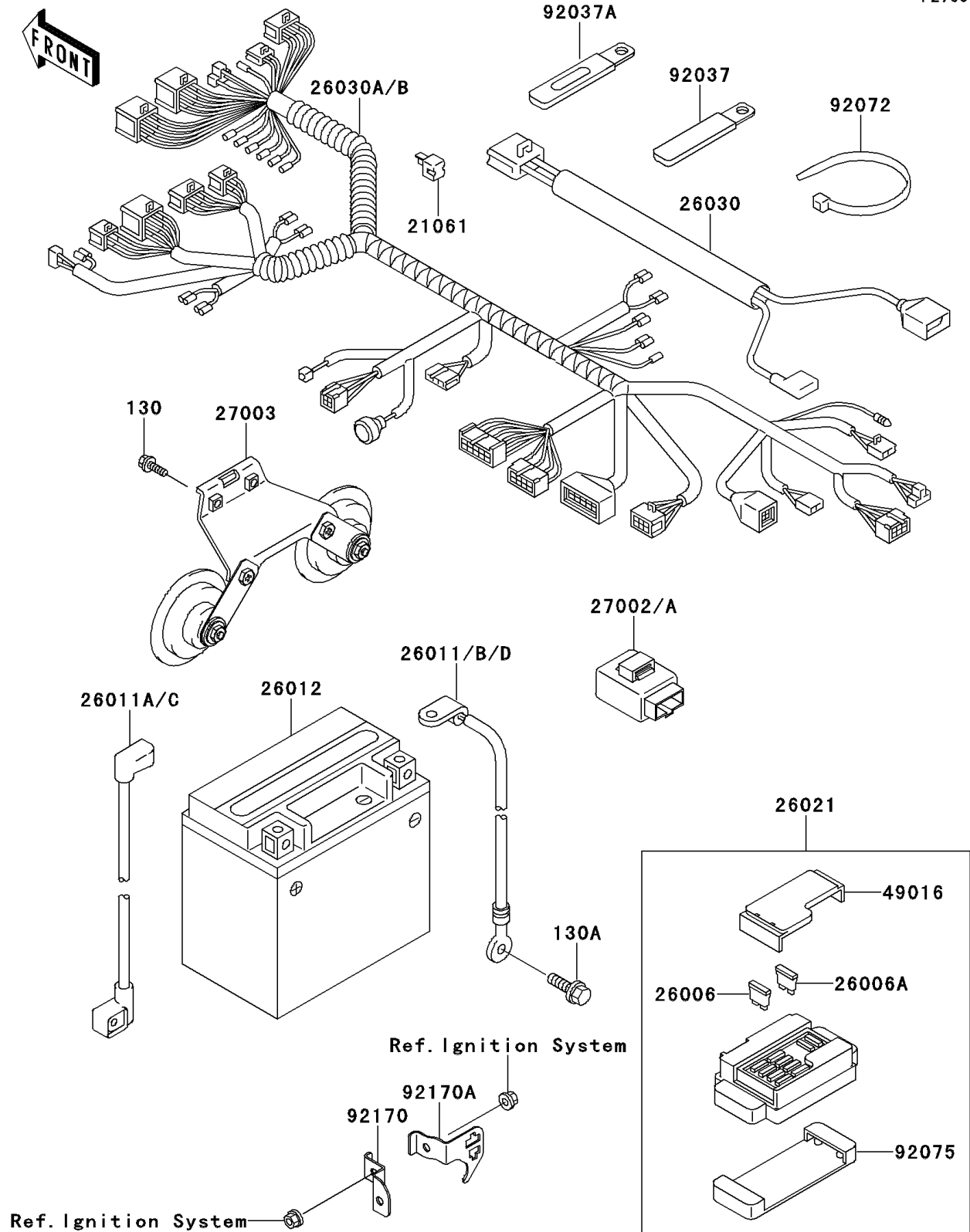


1999 Vulcan® 1500 Nomad™ PARTS DIAGRAM

Chassis Electrical Equipment

F2760



1999 Vulcan® 1500 Nomad™ PARTS LIST

Chassis Electrical Equipment

| ITEM NAME | PART NUMBER | QUANTITY |
|--|-------------|----------|
| BOLT-FLANGED,6X30,BLACK (Ref # 130) | 130J0630 | 1 |
| BOLT-FLANGED,6X10 (Ref # 130A) | 130V0610 | 1 |
| RECTIFIER (Ref # 21061) | 21061-1003 | 1 |
| FUSE,30A-G (Ref # 26006) | 26006-1067 | 1 |
| FUSE,10A-R (Ref # 26006A) | 26006-1068 | 1 |
| WIRE-LEAD,BATTERY(-) (Ref # 26011) | 26011-1662 | 1 |
| WIRE-LEAD,BATTERY(+) (Ref # 26011A) | 26011-1663 | 1 |
| BATTERY,MF,FTH16-BS,12V 14AH (Ref # 26012) | 26012-1368 | 1 |
| JUNCTION BOX (Ref # 26021) | 26021-1089 | 1 |
| HARNESS,SUB (Ref # 26030) | 26030-1450 | 1 |
| HARNESS,MAIN (Ref # 26030A) | 26030-1604 | 1 |
| RELAY-ASSY,SIGNAL LAMP (Ref # 27002) | 27002-1110 | 1 |
| HORN (Ref # 27003) | 27003-1406 | 1 |
| COVER-SEAL,FUSE (Ref # 49016) | 49016-1177 | 1 |
| CLAMP,L=45 (Ref # 92037) | 92037-1539 | 1 |
| CLAMP (Ref # 92037A) | 92037-1780 | 1 |
| BAND,L=202 (Ref # 92072) | 92072-1195 | 1 |
| DAMPER,JUNCTION BOX (Ref # 92075) | 92075-1688 | 1 |
| CLAMP,IGNITION SWITCH (Ref # 92170) | 92170-1699 | 1 |
| CLAMP,RR BRAKE SWITCH (Ref # 92170A) | 92170-1700 | 1 |