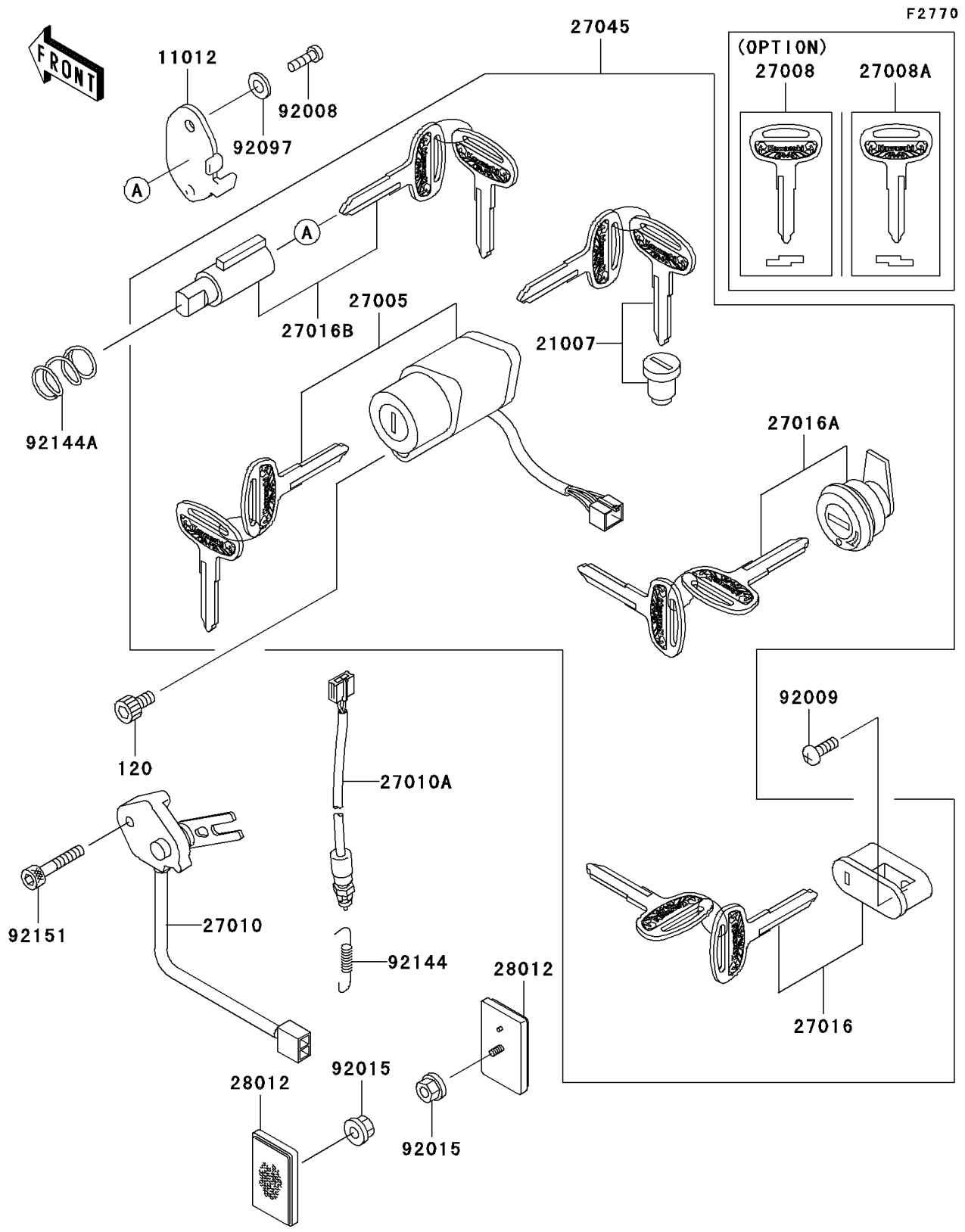


## 2004 Vulcan® 1500 Classic PARTS DIAGRAM

Ignition Switch/Locks/Reflectors



## 2004 Vulcan® 1500 Classic PARTS LIST

Ignition Switch/Locks/Reflectors

| ITEM NAME                              | PART NUMBER | QUANTITY |
|----------------------------------------|-------------|----------|
| BOLT-SOCKET (Ref # 120)                | 120P0512    | 1        |
| CAP,STEERING LOCK (Ref # 11012)        | 11012-1586  | 1        |
| ROTOR,LOCK,TANK CAP (Ref # 21007)      | 21007-5041  | 1        |
| SWITCH-ASSY-IGNITION (Ref # 27005)     | 27005-1215  | 1        |
| KEY-LOCK,BLANK,#A (Ref # 27008)        | 27008-1179  | 1        |
| KEY-LOCK,BLANK,#B (Ref # 27008A)       | 27008-1180  | 1        |
| SWITCH,SIDE STAND (Ref # 27010)        | 27010-1464  | 1        |
| SWITCH,REAR BRAKE (Ref # 27010A)       | 27010-1487  | 1        |
| LOCK-ASSY,HELMET (Ref # 27016)         | 27016-5243  | 1        |
| LOCK-ASSY,LID (Ref # 27016A)           | 27016-5244  | 1        |
| LOCK-ASSY,STEERING (Ref # 27016B)      | 27016-5255  | 1        |
| SWITCH-ASSY (Ref # 27045)              | 27045-5194  | 1        |
| REFLECTOR-REFLEX,FR (Ref # 28012)      | 28012-1009  | 1        |
| SCREW,3.51MM (Ref # 92008)             | 92008-007   | 1        |
| SCREW,5X12 (Ref # 92009)               | 92009-1296  | 1        |
| NUT,FLANGED,5MM (Ref # 92015)          | 92015-1656  | 1        |
| WASHER,WAVE (Ref # 92097)              | 92097-003   | 1        |
| SPRING,REAR BRAKE SWITCH (Ref # 92144) | 92144-1141  | 1        |
| SPRING,STEERING LOCK (Ref # 92144A)    | 92144-1222  | 1        |
| BOLT,SOCKET,6X35 (Ref # 92151)         | 92151-1390  | 1        |