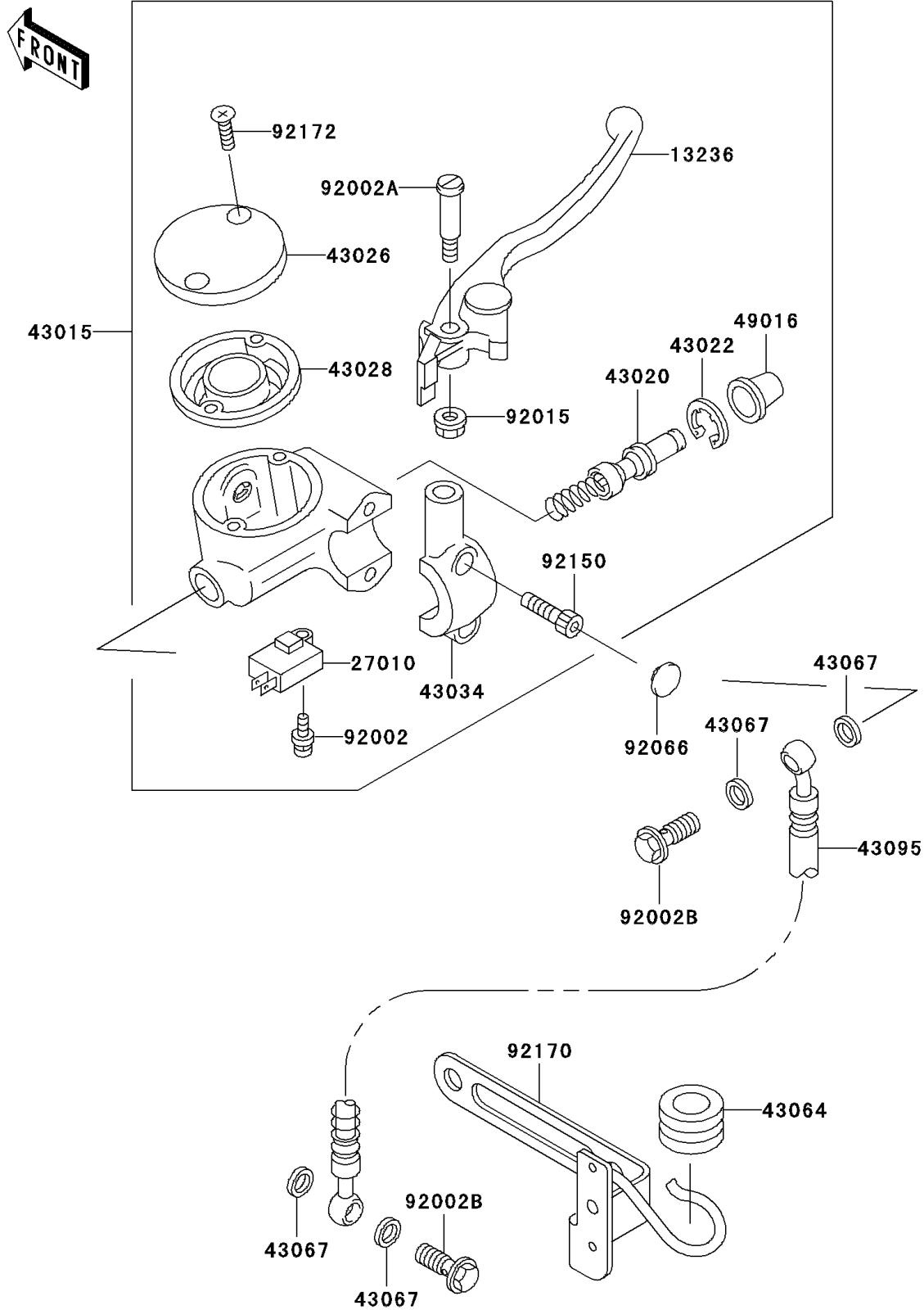


## 2004 Vulcan® 1500 Classic PARTS DIAGRAM

Front Master Cylinder

F2291



## 2004 Vulcan® 1500 Classic PARTS LIST

Front Master Cylinder

ITEM NAME	PART NUMBER	QUANTITY
LEVER-COMP,FRONT BRAKE (Ref # 13236)	13236-1315	1
SWITCH,BRAKE (Ref # 27010)	27010-1170	1
CYLINDER-ASSY-MASTER,FR (Ref # 43015)	43015-0013	1
PISTON-COMP-BRAKE,FR (Ref # 43020)	43020-1056	1
STOPPER-BRAKE,PISTON (Ref # 43022)	43022-1010	1
CAP-BRAKE (Ref # 43026)	43026-1083	1
DIAPHRAGM,MASTER CYLINDER (Ref # 43028)	43028-1071	1
HOLDER-BRAKE (Ref # 43034)	43034-1147	1
GROMMET,HOSE CLAMP (Ref # 43064)	43064-006	1
WASHER,10.5X15X1.5 (Ref # 43067)	43067-001	1
HOSE-BRAKE,FR (Ref # 43095)	43095-1189	1
COVER-SEAL,MASTER CYLINDER (Ref # 49016)	49016-1044	1
BOLT,SCREW,4X12 (Ref # 92002)	92002-1323	1
BOLT,LEVER SET (Ref # 92002A)	92002-1561	1
BOLT,OIL,L=23 (Ref # 92002B)	92002-1888	1
NUT,FLANGED,6MM (Ref # 92015)	92015-1528	1
PLUG (Ref # 92066)	92066-1301	1
BOLT,SOCKET,6MM (Ref # 92150)	92150-1025	1
CLAMP,HOSE (Ref # 92170)	92170-1651	1
SCREW,5MM (Ref # 92172)	92172-0089	1