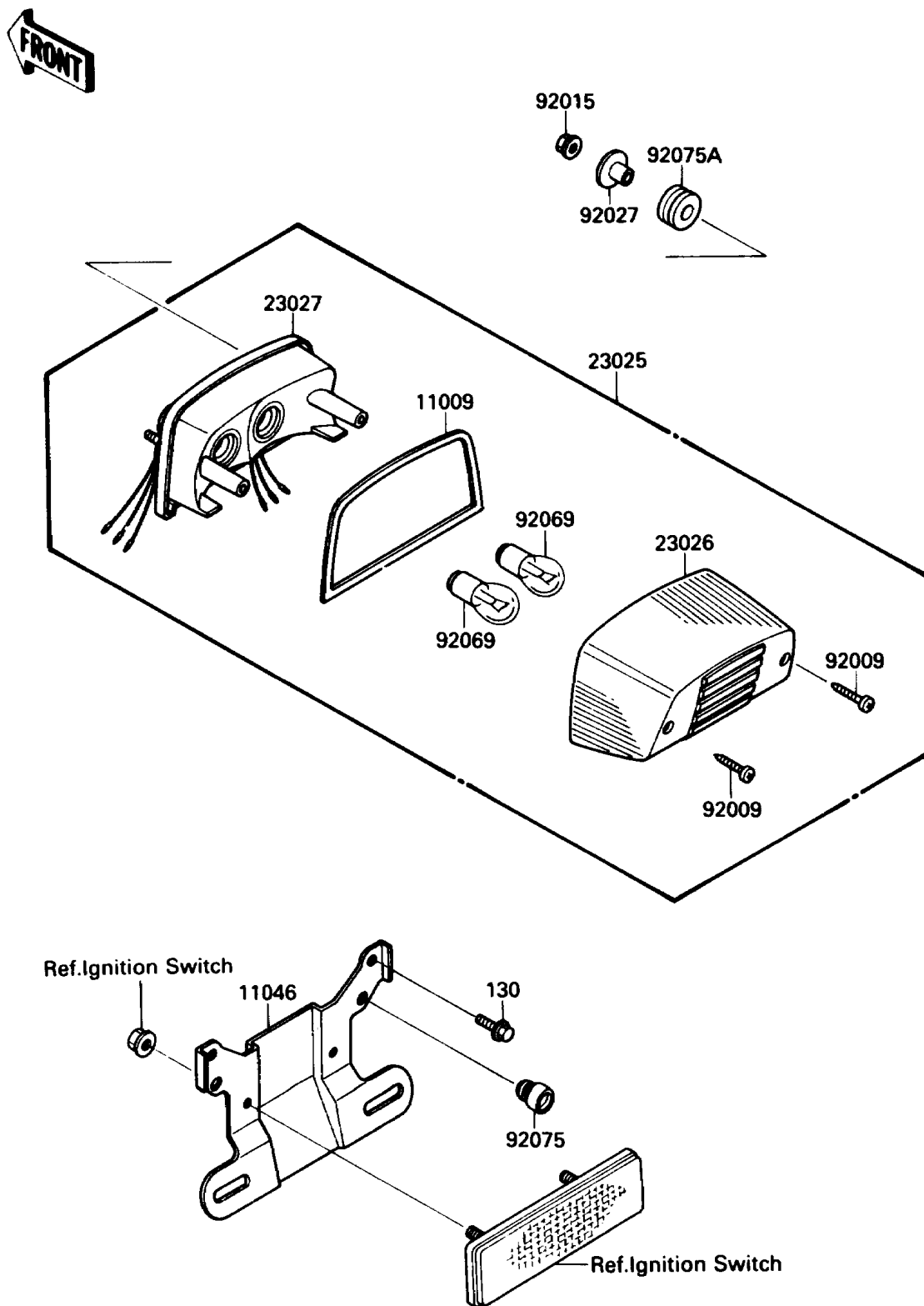


1987 Vulcan® 88 SE PARTS DIAGRAM

Taillight(s)

F2720-0256



1987 Vulcan® 88 SE PARTS LIST

Taillight(s)

ITEM NAME	PART NUMBER	QUANTITY
GASKET,TAIL LAMP (Ref # 11009)	11009-1412	1
BRACKET,LICENSE PLATE (Ref # 11046)	11046-1103	1
LAMP-TAIL (Ref # 23025)	23025-1170	1
LENS,TAIL LAMP (Ref # 23026)	23026-1057	1
BODY-COMP-TAIL LAMP (Ref # 23027)	23027-1086	1
SCREW,TAPPING,4X25 (Ref # 92009)	92009-1069	1
NUT,FLANGED,6MM (Ref # 92015)	92015-1367	1
COLLAR,L=13.1 (Ref # 92027)	92027-251	1
BULB,12V 27/8W (Ref # 92069)	92069-059	1
DAMPER (Ref # 92075)	92075-035	1
DAMPER (Ref # 92075A)	92075-1690	1
BOLT-FLANGED,6X14 (Ref # 130)	130N0614	1