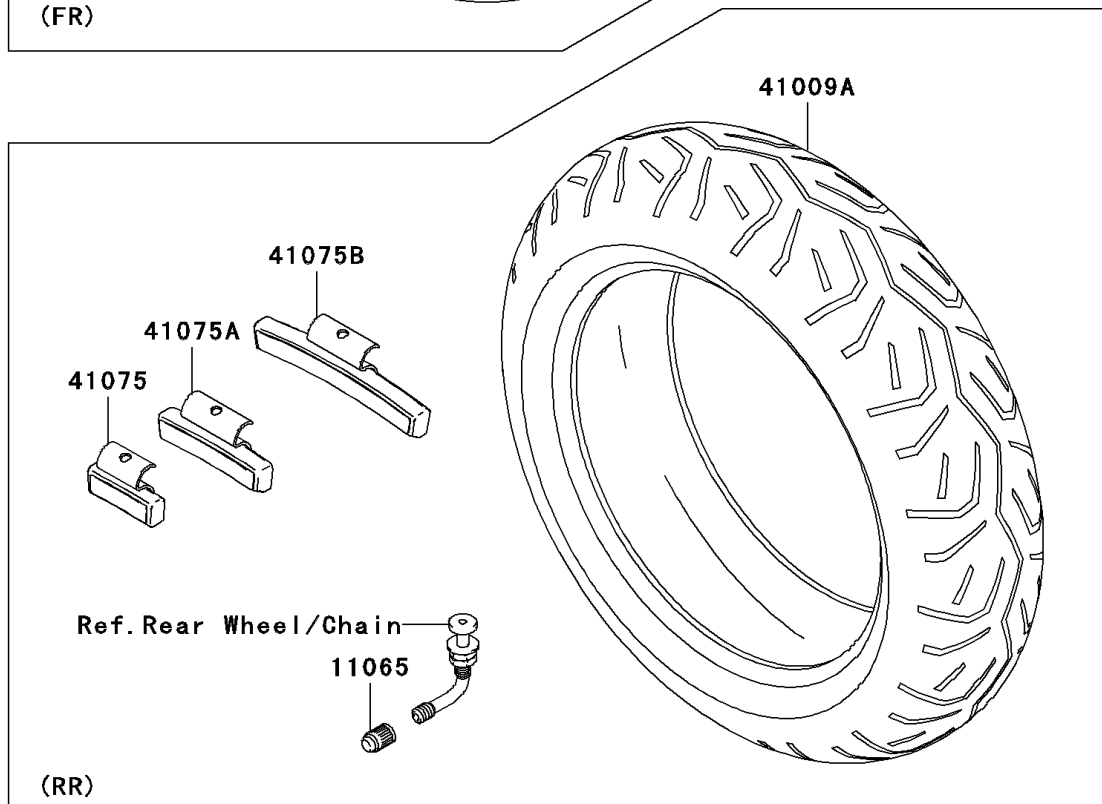
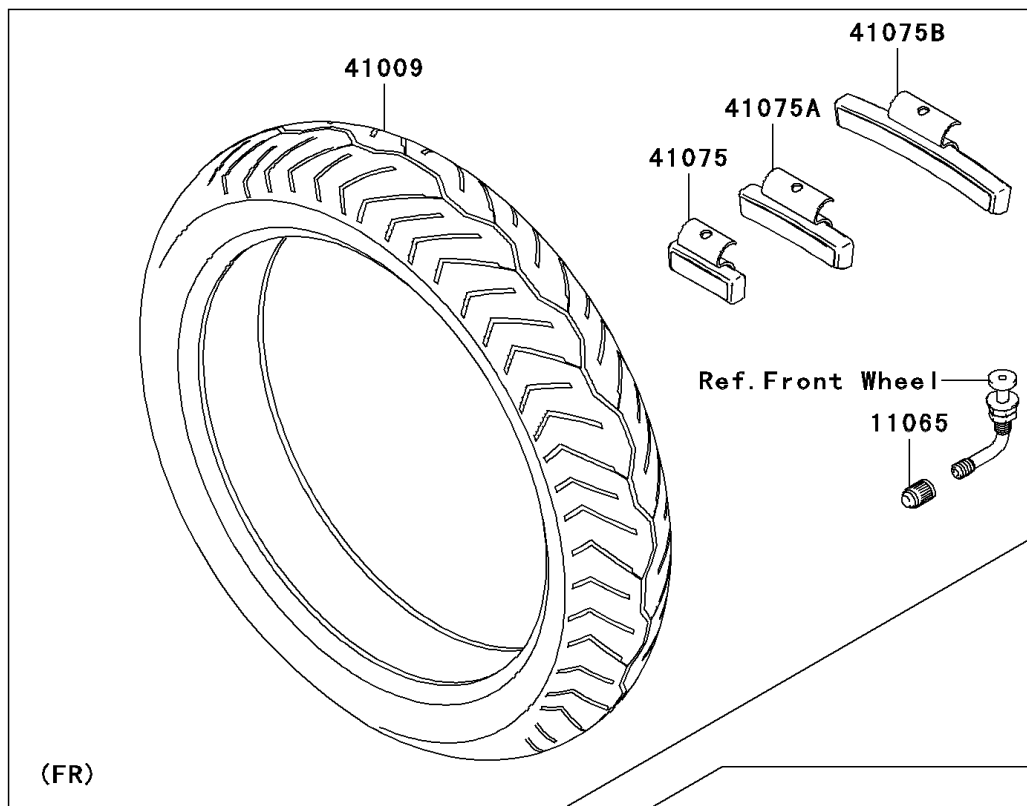


## 2006 Vulcan® 1600 Classic PARTS DIAGRAM

Tires

F2210



## 2006 Vulcan® 1600 Classic PARTS LIST

Tires

ITEM NAME	PART NUMBER	QUANTITY
CAP (Ref # 11065)	11065-1112	1
TIRE,FR,130/90-16 67H,G721(BS) (Ref # 41009)	41009-1421	1
TIRE,RR,170/70B16 75H,G722(BS) (Ref # 41009A)	41009-1422	1
BALANCER-WHEEL,10G,SILVER (Ref # 41075)	41075-0014	1
BALANCER-WHEEL,20G,SILVER (Ref # 41075A)	41075-0015	1
BALANCER-WHEEL,30G,SILVER (Ref # 41075B)	41075-0016	1