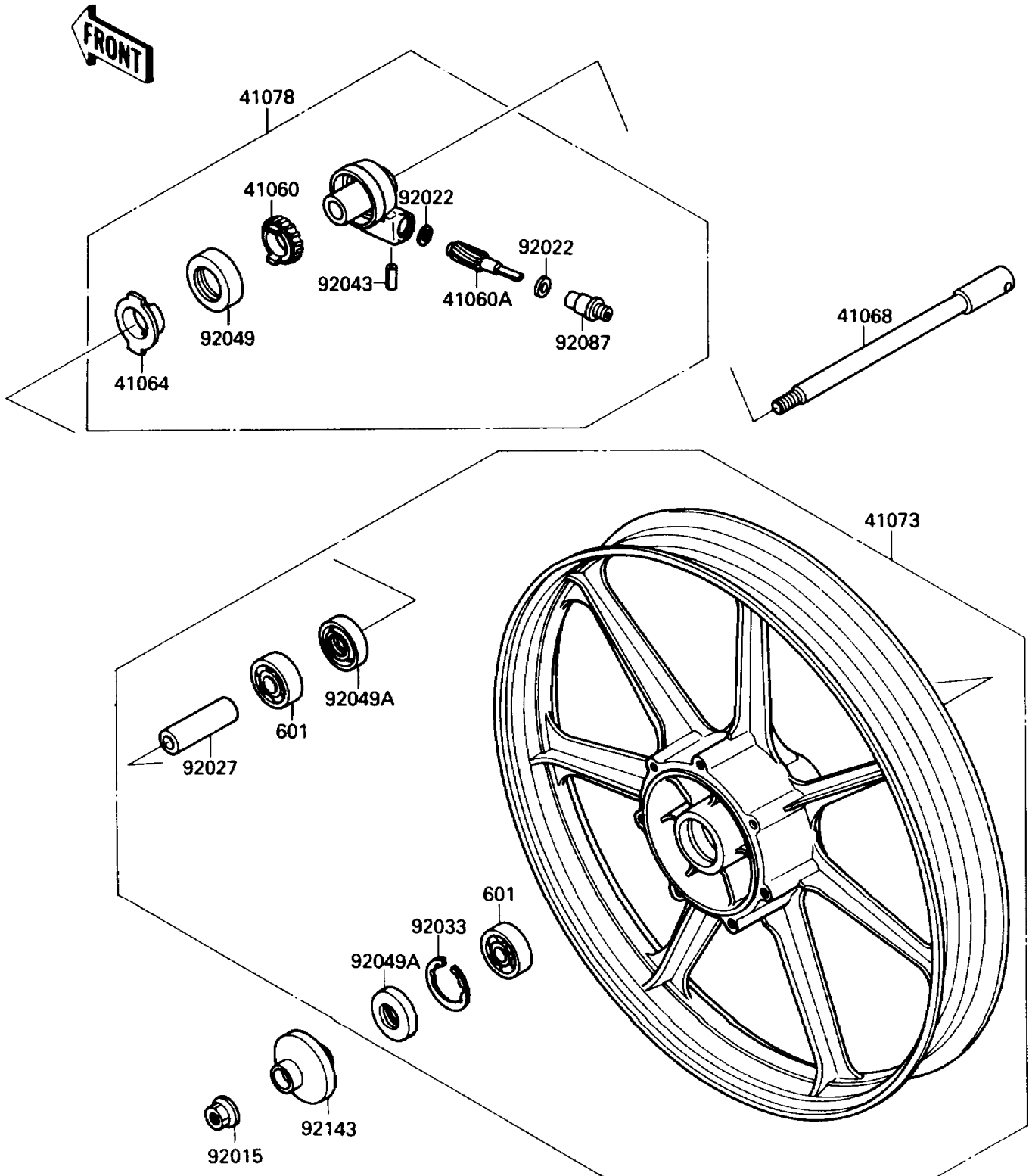


## 1987 Vulcan® 88 PARTS DIAGRAM

Front Hub (& NAMIJA001440)

F2230



## 1987 Vulcan® 88 PARTS LIST

Front Hub(&NAMIJA001440)

| ITEM NAME                            | PART NUMBER   | QUANTITY |
|--------------------------------------|---------------|----------|
| GEAR-METER SCREW,26T (Ref # 41060)   | 41059-026     | 1        |
| GEAR-METER SCREW,9T (Ref # 41060A)   | 41060-1006    | 1        |
| RECEIVER-SPEEDOMETER (Ref # 41064)   | 41064-1053    | 1        |
| AXLE,FR (Ref # 41068)                | 41068-1189    | 1        |
| WHEEL-ASSY,FR,BLACK (Ref # 41073)    | 41073-1363-CB | 1        |
| CASE-ASSY-METER GEAR (Ref # 41078)   | 41078-1065    | 1        |
| NUT,14MM (Ref # 92015)               | 92015-1407    | 1        |
| WASHER,5.1X9X0.4 (Ref # 92022)       | 41063-001     | 1        |
| COLLAR,L=70 (Ref # 92027)            | 92027-1866    | 1        |
| RING-SNAP,42MM (Ref # 92033)         | 92033-1041    | 1        |
| PIN,SPRING (Ref # 92043)             | 41082-001     | 1        |
| SEAL-OIL,BJN30427-C3 (Ref # 92049)   | 92049-1057    | 1        |
| SEAL-OIL,BJN22425 (Ref # 92049A)     | 92049-1058    | 1        |
| BUSHING-METER GEAR (Ref # 92087)     | 92087-1056    | 1        |
| COLLAR,FRONT AXLE,L=30 (Ref # 92143) | 92143-1082    | 1        |
| BEARING-BALL,#6302UG (Ref # 601)     | 601B6302UG    | 1        |