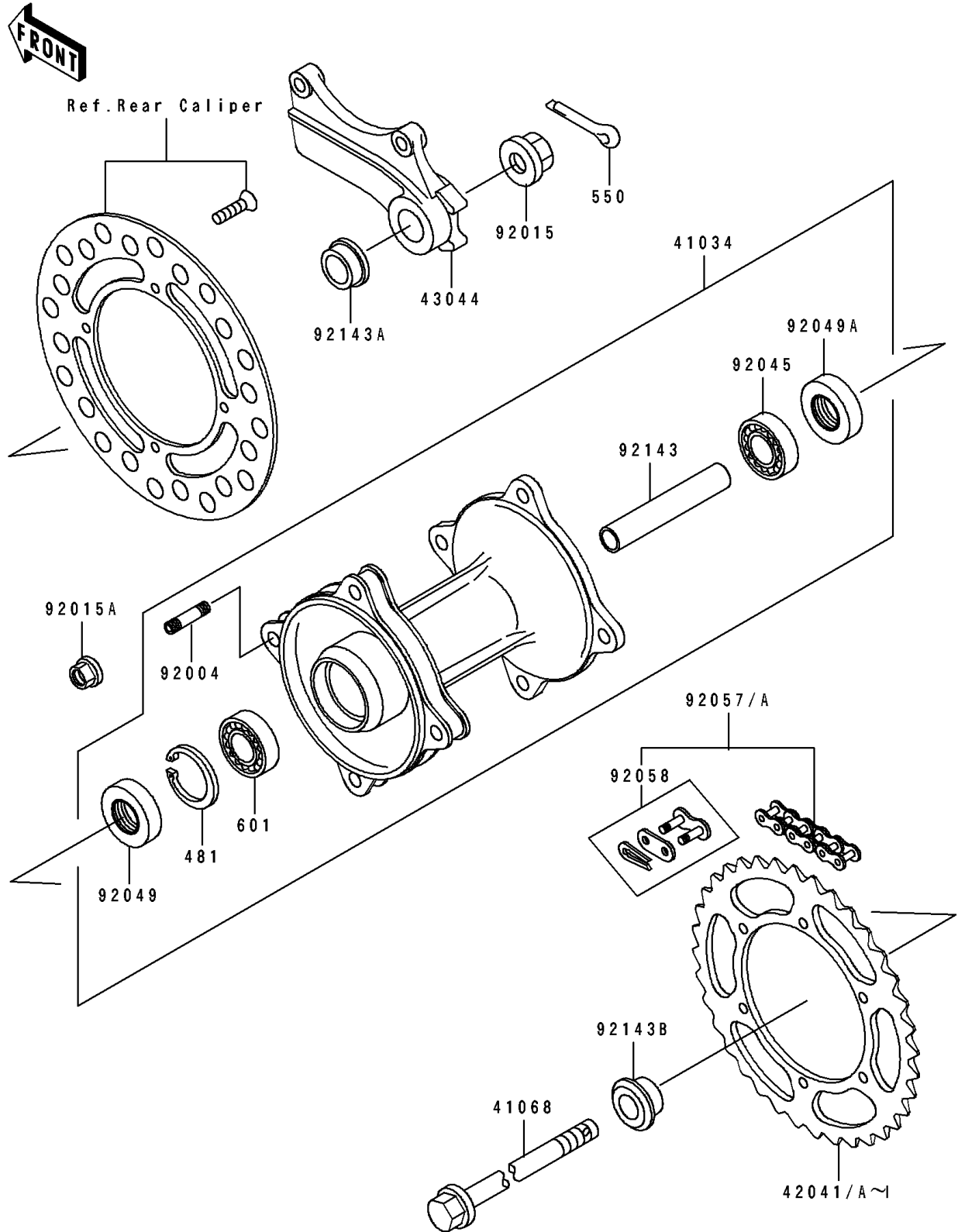


## 1991 KX™80 PARTS DIAGRAM

Rear Hub

F 2240



## 1991 KX™80 PARTS LIST

Rear Hub

ITEM NAME	PART NUMBER	QUANTITY
DRUM-ASSY,REAR BRAKE (Ref # 41034)	41034-1194	1
AXLE,RR (Ref # 41068)	41068-1302	1
SPROCKET-HUB,49T (Ref # 42041)	42041-1207	1
SPROCKET-HUB,47T (Ref # 42041B)	42041-1226	1
SPROCKET-HUB,48T (Ref # 42041C)	42041-1227	1
SPROCKET-HUB,50T (Ref # 42041D)	42041-1228	1
SPROCKET-HUB,51T (Ref # 42041E)	42041-1229	1
HOLDER-COMP-CALIPER (Ref # 43044)	43044-1073	1
STUD,8X16 (Ref # 92004)	92004-1183	1
NUT,12MM (Ref # 92015)	92015-1433	1
NUT,FLANGED,LOCK,8MM (Ref # 92015A)	92015-1668	1
BEARING-BALL,TMB201LLUC3/2A (Ref # 92045)	92045-1062	1
SEAL-OIL,DD20377 (Ref # 92049)	92049-1096	1
SEAL-OIL,DC17343.5 (Ref # 92049A)	92049-1290	1
CHAIN,DRIVE,DID420DSX118L (Ref # 92057)	92057-1314	1
JOINT-CHAIN (Ref # 92058)	92058-1066	1
COLLAR,12.2X17.3X107.5 (Ref # 92143)	92143-1282	1
COLLAR,REAR AXLE,L=12 (Ref # 92143A)	92143-1284	1
COLLAR,REAR AXLE,L=14.5 (Ref # 92143B)	92143-1286	1
CIRCLIP-TYPE-C,37MM (Ref # 481)	481J3700	1
PIN-COTTER,2.5X20 (Ref # 550)	550D2520	1
BEARING-BALL,#6201UUC3 (Ref # 601)	601B6301UU	1