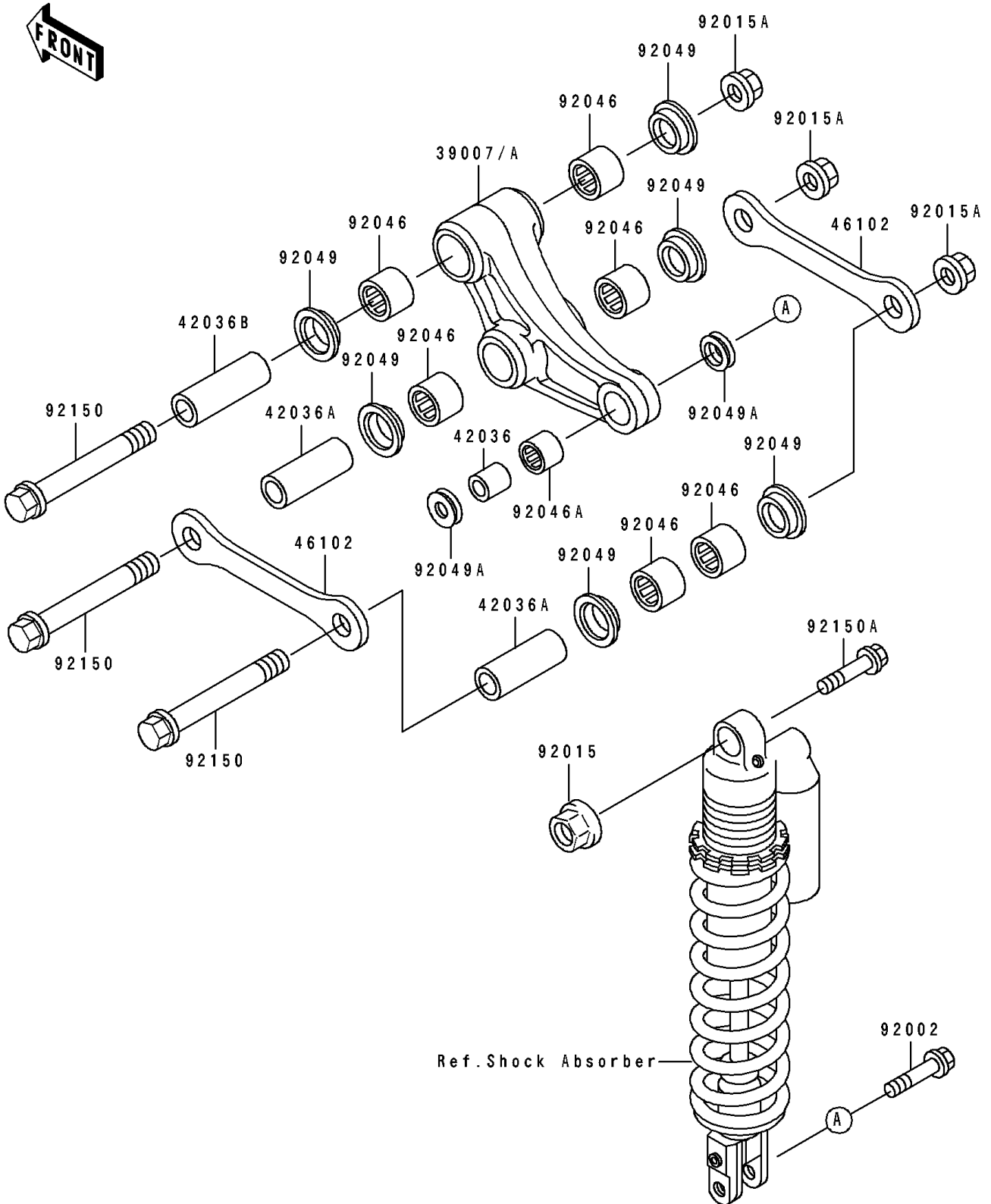


1991 KX™80 PARTS DIAGRAM

Suspension

F2150



1991 KX™80 PARTS LIST

Suspension

ITEM NAME	PART NUMBER	QUANTITY
ARM-SUSP,UNI TRAK (Ref # 39007)	39007-1194	1
SLEEVE,10X16X19 (Ref # 42036)	42036-1248	1
SLEEVE,12X18X57 (Ref # 42036A)	42036-1273	1
SLEEVE,12X18X49 (Ref # 42036B)	42036-1274	1
ROD,SUSPENSION (Ref # 46102)	46102-1291	1
BOLT,10X40 (Ref # 92002)	92002-1675	1
NUT,FLANGED,10MM (Ref # 92015)	92015-1335	1
NUT,FLANGED,12MM (Ref # 92015A)	92015-1433	1
BEARING-NEEDLE,18BM2416 (Ref # 92046)	92046-1144	1
BEARING-NEEDLE,16BM2212 (Ref # 92046A)	92046-1192	1
SEAL-OIL (Ref # 92049)	92049-1328	1
SEAL-OIL (Ref # 92049A)	92049-1330	1
BOLT,FLANGED,12X83 (Ref # 92150)	92150-1412	1
BOLT,FLANGED,10X57 (Ref # 92150A)	92150-1454	1