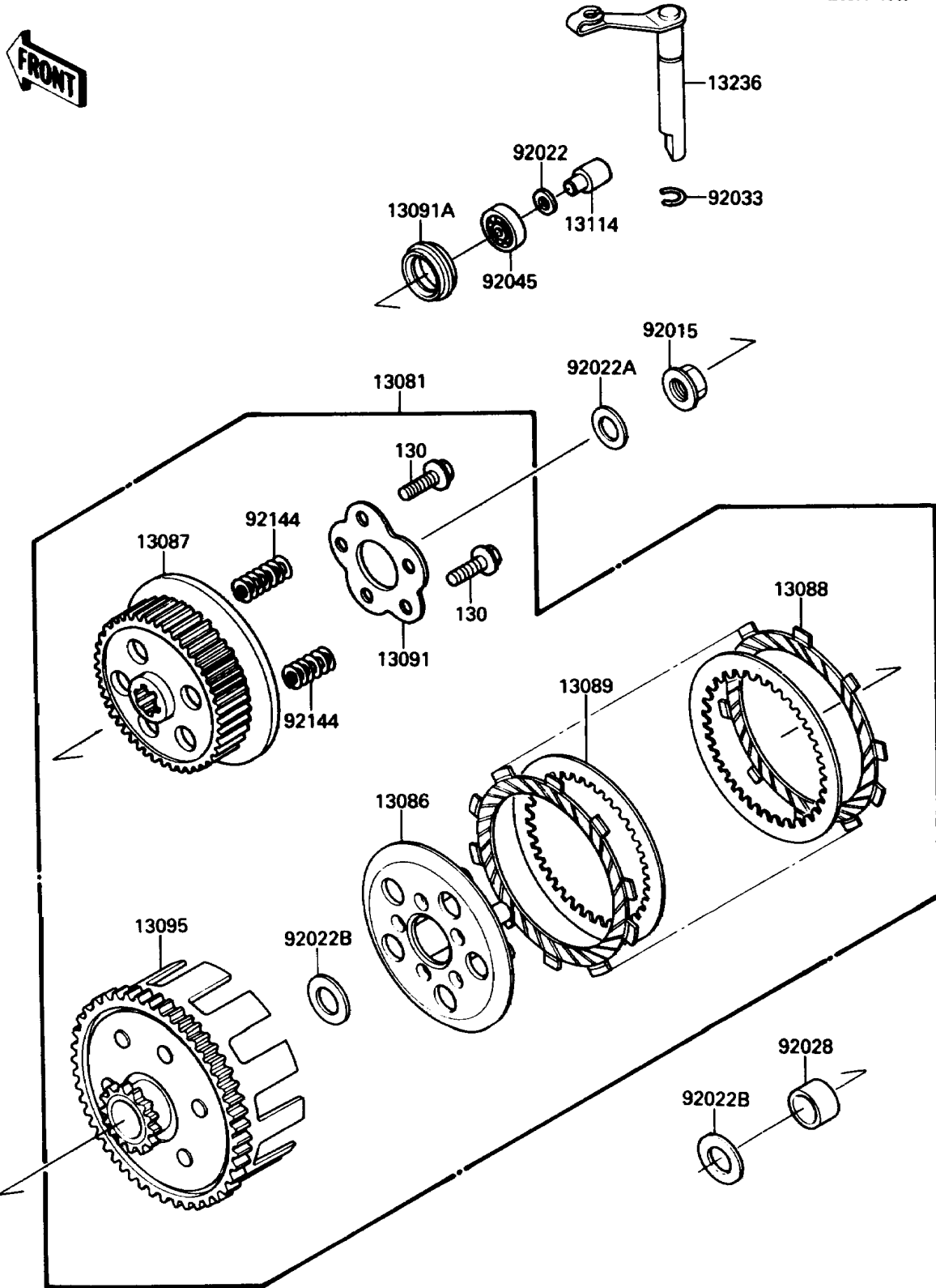


## 1988 KX™80W PARTS DIAGRAM

Clutch

E1350-0149



## 1988 KX™80W PARTS LIST

### Clutch

ITEM NAME	PART NUMBER	QUANTITY
CLUTCH-ASSY (Ref # 13081)	13081-1257	1
WHEEL-CLUTCH (Ref # 13086)	13086-1058	1
HUB-CLUTCH (Ref # 13087)	13087-1090	1
PLATE-FRICTION (Ref # 13088)	13088-1070	1
PLATE-CLUTCH (Ref # 13089)	13089-005	1
HOLDER,CLUTCH (Ref # 13091)	13091-1324	1
HOLDER (Ref # 13091A)	13091-1517	1
HOUSING-COMP-CLUTCH (Ref # 13095)	13095-1165	1
PUSHER-CLUTCH (Ref # 13114)	13114-1053	1
LEVER-COMP,RELEASE (Ref # 13236)	13236-1158	1
NUT (Ref # 92015)	92015-1706	1
WASHER,7X12.5X0.8 (Ref # 92022)	92022-1290	1
WASHER,12.3X23X2.3 (Ref # 92022A)	92022-1911	1
WASHER,17.3X28X1 (Ref # 92022B)	92022-255	1
BUSHING,17X22X21.1 (Ref # 92028)	92028-1149	1
RING-SNAP (Ref # 92033)	92036-023	1
BEARING-BALL,#627 (Ref # 92045)	92045-026	1
SPRING,CLUTCH (Ref # 92144)	92144-1267	1
BOLT-FLANGED (Ref # 130)	130P0520	1