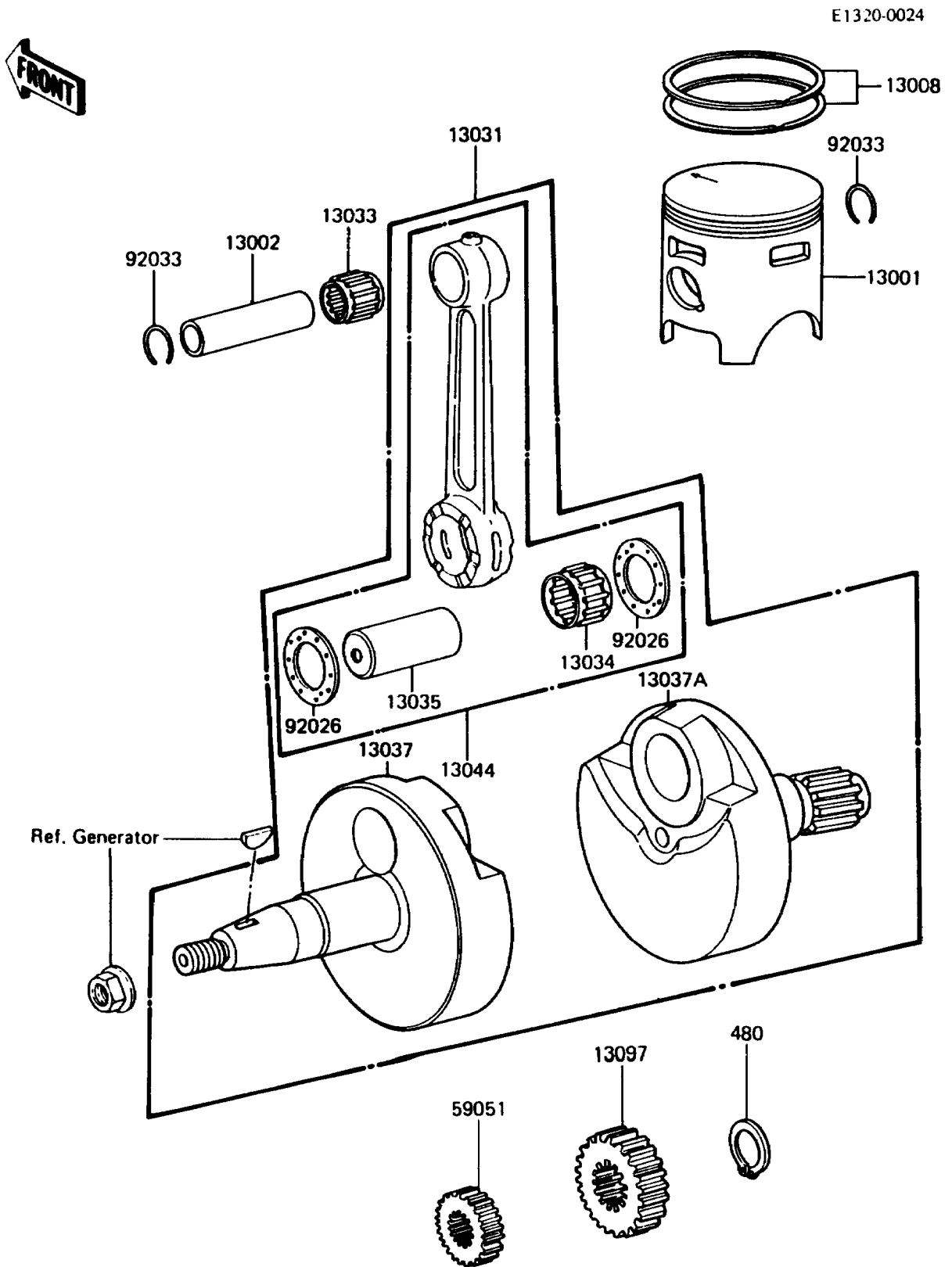


1988 KX™80W PARTS DIAGRAM

Crankshaft/Piston(s)



1988 KX™80W PARTS LIST

Crankshaft/Piston(s)

ITEM NAME	PART NUMBER	QUANTITY
PISTON-ENGINE (Ref # 13001)	13001-1259	1
PIN-PISTON (Ref # 13002)	13002-1024	1
RING-SET-PISTON (Ref # 13008)	13008-1100	1
CRANKSHAFT-COMP (Ref # 13031)	13031-1207	1
BEARING-SMALL END,14R1818AP-1 (Ref # 13033)	13033-1053	1
BEARING-BIG END,H22X29X13.8 (Ref # 13034)	13034-1072	1
PIN-CRANK (Ref # 13035)	13035-1054	1
CRANKSHAFT,LH (Ref # 13037)	13037-1269	1
CRANKSHAFT,RH (Ref # 13037A)	13037-1270	1
SET-CONNECTING ROD (Ref # 13044)	13044-5053	1
GEAR-PRIMARY SPUR,20T (Ref # 13097)	13097-1148	1
GEAR-SPUR,PUMP,22T (Ref # 59051)	59051-1146	1
SPACER,22.5X37X1.0 (Ref # 92026)	92026-011	1
RING-SNAP (Ref # 92033)	92033-1050	1
CIRCLIP-TYPE-C,16MM (Ref # 480)	480J1600	1