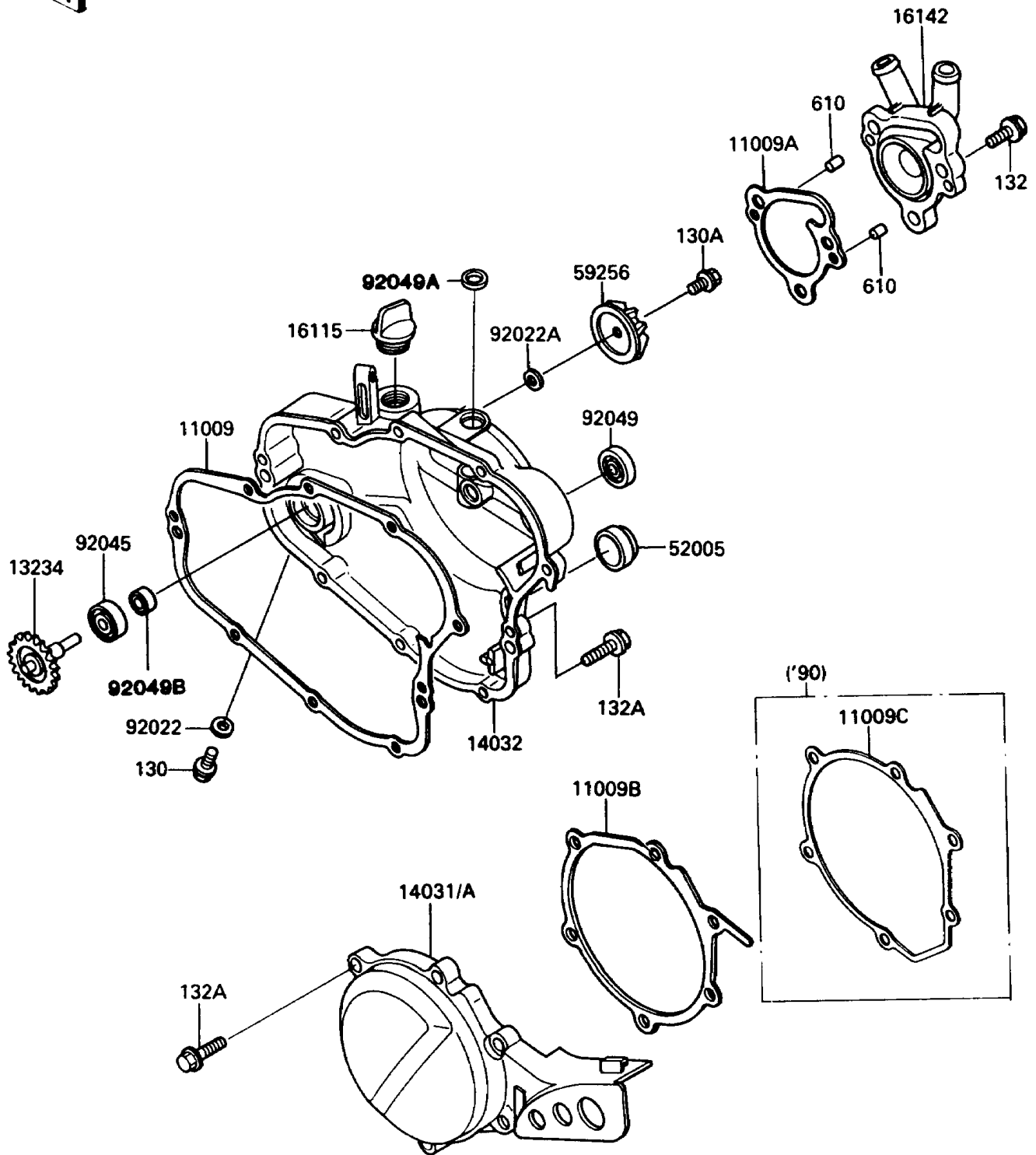


1989 KX™80 PARTS DIAGRAM

Engine Cover(s)

E1431-0220



1989 KX™80 PARTS LIST

Engine Cover(s)

| ITEM NAME | PART NUMBER | QUANTITY |
|--|-------------|----------|
| GASKET,CLUTCH COVER (Ref # 11009) | 11009-1971 | 1 |
| GASKET,PUMP COVER (Ref # 11009A) | 11009-1972 | 1 |
| GASKET,GENERATOR COVER (Ref # 11009C) | 11009-1974 | 1 |
| SHAFT-COMP,PUMP (Ref # 13234) | 13234-1068 | 1 |
| COVER-GENERATOR (Ref # 14031) | 14031-1215 | 1 |
| COVER-CLUTCH (Ref # 14032) | 14032-1260 | 1 |
| CAP-OIL FILLER (Ref # 16115) | 16115-018 | 1 |
| COVER-PUMP (Ref # 16142) | 16142-1081 | 1 |
| GAUGE,OIL LEVEL (Ref # 52005) | 52005-1055 | 1 |
| IMPELLER (Ref # 59256) | 59256-1064 | 1 |
| WASHER,6.1X12X1 (Ref # 92022) | 92022-077 | 1 |
| WASHER,5.2X13X1 (Ref # 92022A) | 92022-1380 | 1 |
| BEARING-BALL (Ref # 92045) | 92045-1212 | 1 |
| SEAL-OIL,SB16244 (Ref # 92049) | 92049-002 | 1 |
| SEAL-OIL (Ref # 92049A) | 92049-1262 | 1 |
| SEAL-OIL,MHSD8X18X10J-1 (Ref # 92049B) | 92049-1366 | 1 |
| BOLT-FLANGED,6X8 (Ref # 130) | 130B0608 | 1 |
| BOLT-FLANGED (Ref # 130A) | 130P0510 | 1 |
| BOLT-FLANGED-SMALL (Ref # 132) | 132G0620 | 1 |
| BOLT-FLANGED-SMALL (Ref # 132A) | 132G0625 | 1 |
| ROLLER,4X8 (Ref # 610) | 610A0408 | 1 |