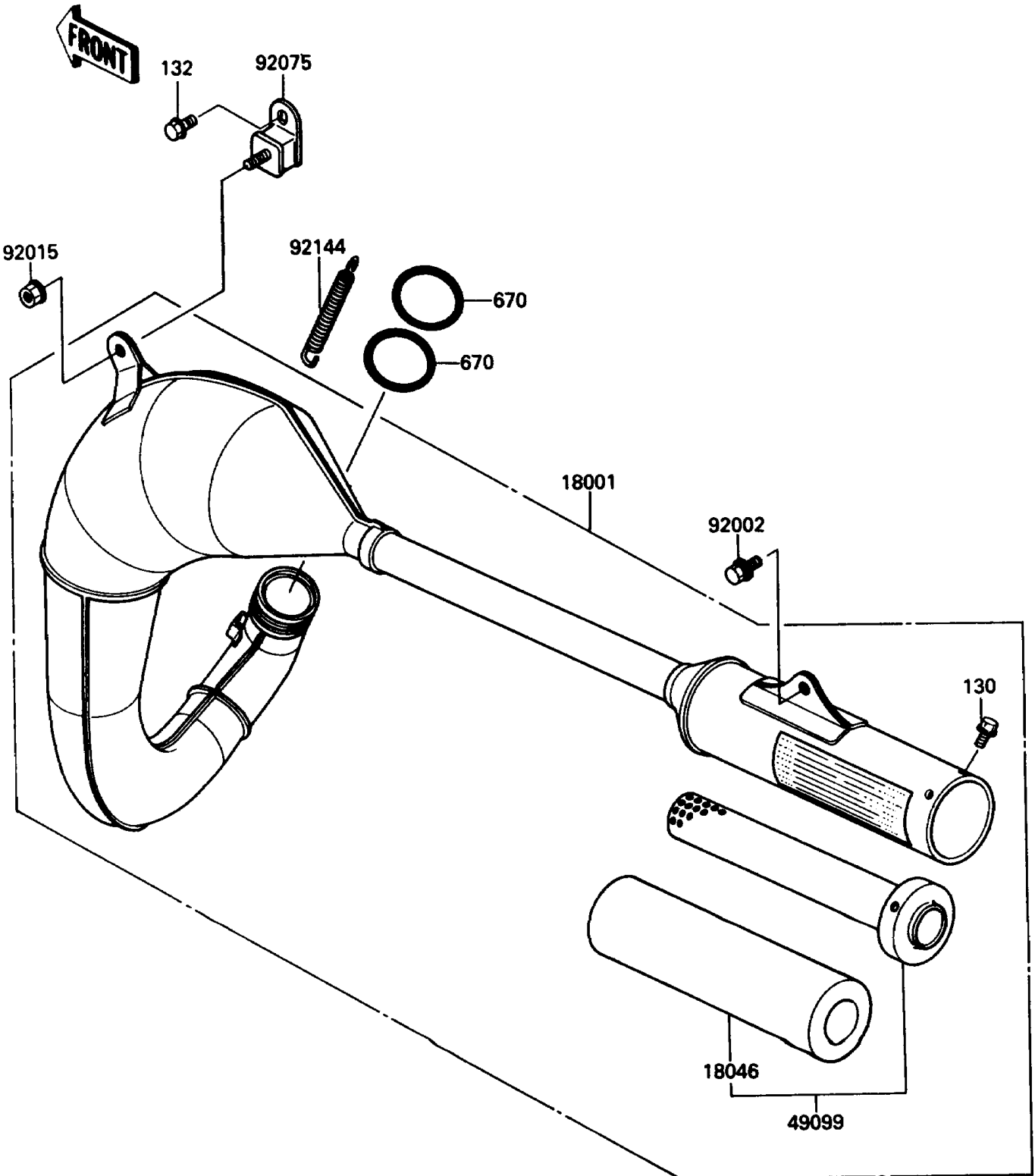


## 1989 KX™80 PARTS DIAGRAM

Muffler(s)

E1140-0284



## 1989 KX™80 PARTS LIST

Muffler(s)

ITEM NAME	PART NUMBER	QUANTITY
MUFFLER (Ref # 18001)	18001-1713	1
WOOL,BAFFLE PIPE (Ref # 18046)	18046-1094	1
BAFFLE-PIPE MUFFLER (Ref # 49099)	49099-1259	1
BOLT,6X16 (Ref # 92002)	92002-1461	1
NUT,FLANGED,6MM (Ref # 92015)	92015-1078	1
DAMPER,MUFFLER (Ref # 92075)	92075-1891	1
SPRING,EXHAUST CONNECTING (Ref # 92144)	92144-1470	1
BOLT-FLANGED (Ref # 130)	130G0508	1
BOLT-FLANGED-SMALL (Ref # 132)	132G0612	1
O RING,36MM (Ref # 670)	670E3036	1