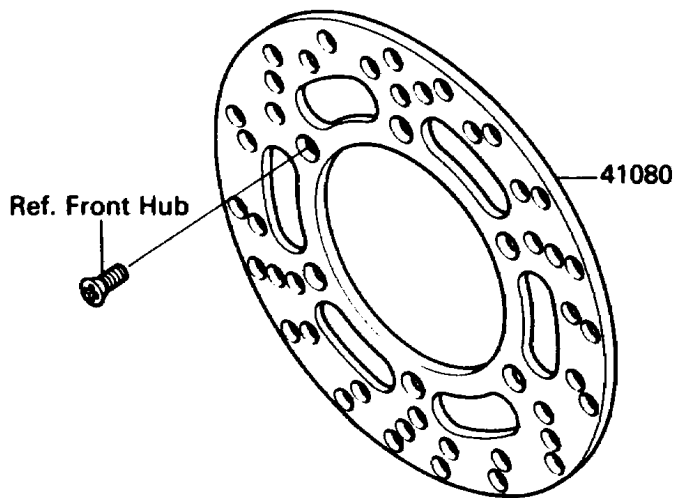
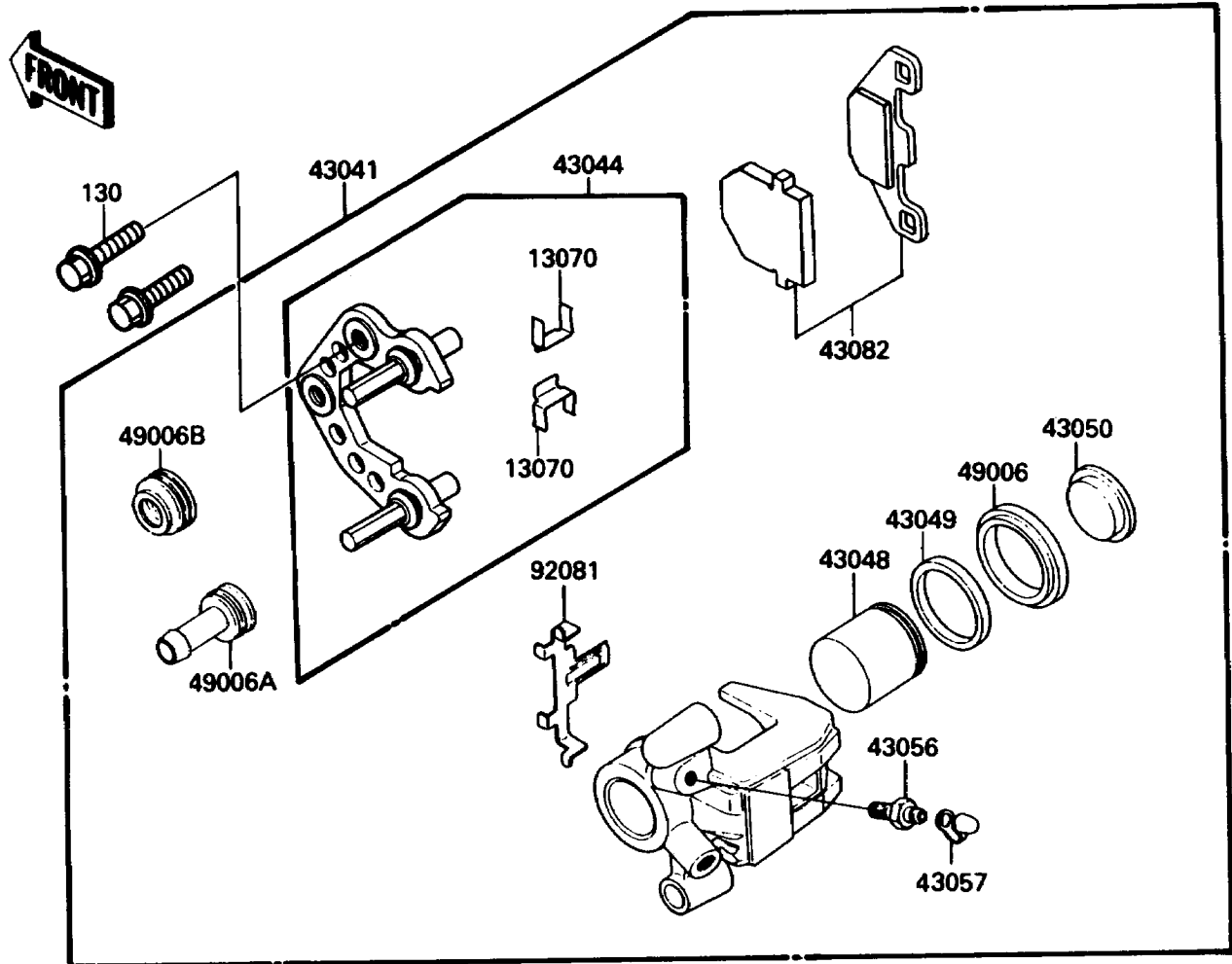


1988 KX™80 PARTS DIAGRAM

Front Brake

F2292-0108



1988 KX™80 PARTS LIST

Front Brake

ITEM NAME	PART NUMBER	QUANTITY
GUIDE,PAD STOPPER (Ref # 13070)	13070-1183	1
DISC,FR (Ref # 41080)	41080-1202	1
CALIPER-ASSY,FR (Ref # 43041)	43041-1241	1
HOLDER-COMP-CALIPER,FR (Ref # 43044)	43044-1051	1
PISTON-CALIPER (Ref # 43048)	43048-1008	1
PACKING (Ref # 43049)	43049-1016	1
PAD-BRAKE (Ref # 43050)	43050-1040	1
BREATHER (Ref # 43056)	43056-003	1
CAP-BREATHER (Ref # 43057)	43057-003	1
PAD-ASSY-BRAKE (Ref # 43082)	43082-1083	1
BOOT,PISTON SEAL (Ref # 49006)	49006-1053	1
BOOT,CALIPER (Ref # 49006A)	49006-1054	1
BOOT,CALIPER (Ref # 49006B)	49006-1055	1
SPRING (Ref # 92081)	92081-1341	1
BOLT-FLANGED (Ref # 130)	130P0840	1