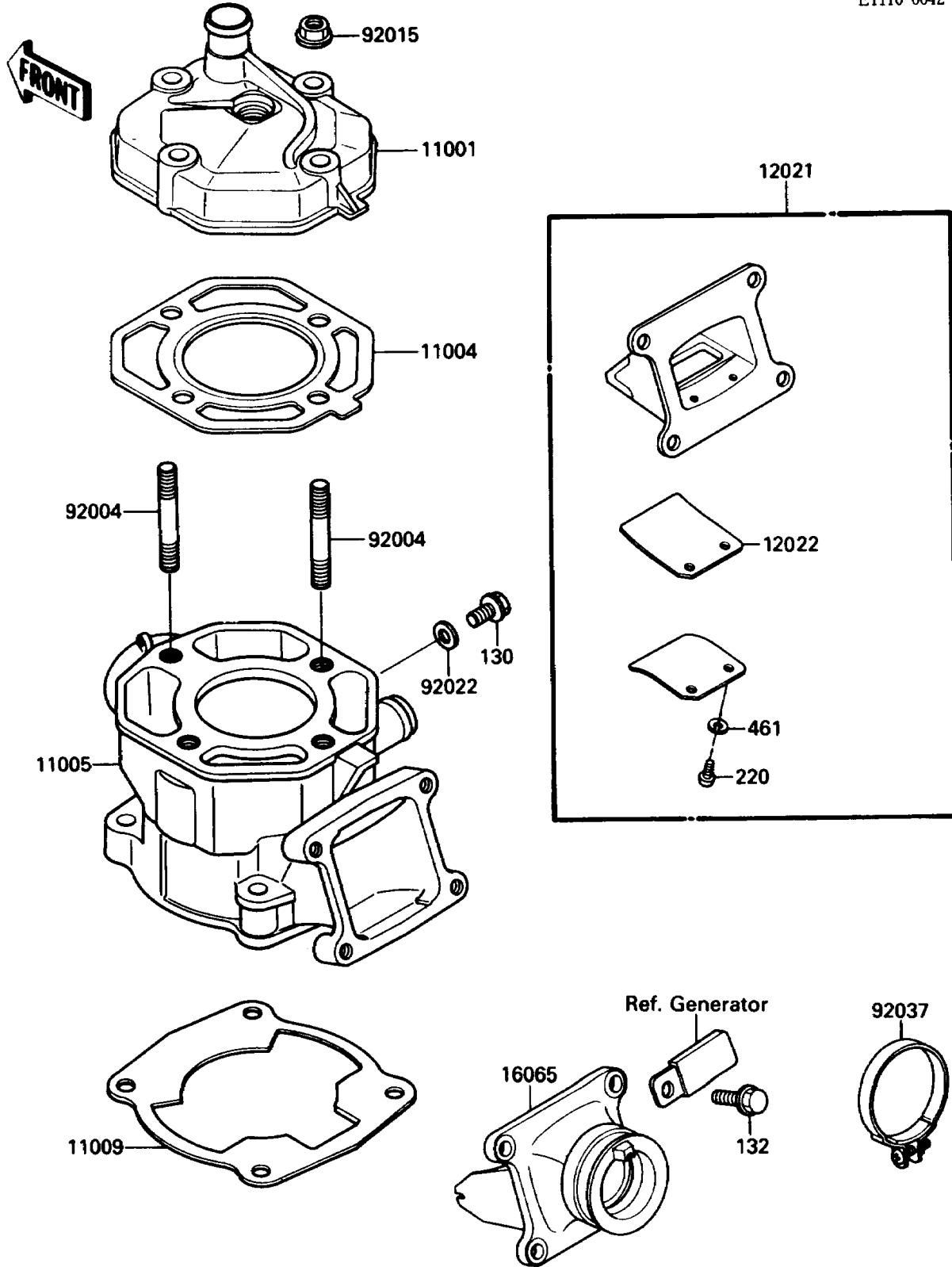


## 1988 KX™80 PARTS DIAGRAM

Cylinder Head/Cylinder

E1110-0042



## 1988 KX™80 PARTS LIST

Cylinder Head/Cylinder

| ITEM NAME                          | PART NUMBER | QUANTITY |
|------------------------------------|-------------|----------|
| HEAD-CYLINDER (Ref # 11001)        | 11001-1258  | 1        |
| GASKET-HEAD (Ref # 11004)          | 11004-1168  | 1        |
| CYLINDER-ENGINE (Ref # 11005)      | 11005-1526  | 1        |
| GASKET,CYLINDER BASE (Ref # 11009) | 11009-1533  | 1        |
| VALVE-ASSY-REED (Ref # 12021)      | 12021-1055  | 1        |
| VALVE-REED (Ref # 12022)           | 12022-1054  | 1        |
| HOLDER-CARBURETOR (Ref # 16065)    | 16065-1178  | 1        |
| STUD,8X35 (Ref # 92004)            | 92004-1009  | 1        |
| NUT,8MM (Ref # 92015)              | 92015-1143  | 1        |
| WASHER,6.1X12X1 (Ref # 92022)      | 92022-077   | 1        |
| CLAMP (Ref # 92037)                | 92037-1843  | 1        |
| BOLT-FLANGED,6X8 (Ref # 130)       | 130B0608    | 1        |
| BOLT-FLANGED-SMALL (Ref # 132)     | 132G0620    | 1        |
| SCREW-PAN-CROS (Ref # 220)         | 220B0308    | 1        |
| WASHER-SPRING,3MM (Ref # 461)      | 461F0300    | 1        |