

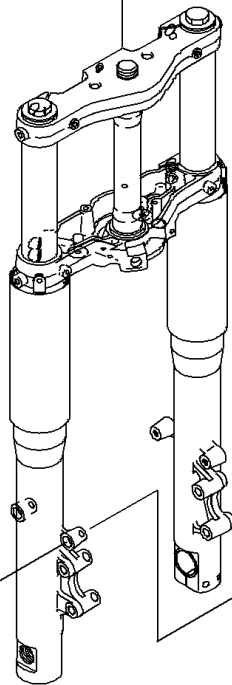
2006 Vulcan® 1600 Nomad™ PARTS DIAGRAM

Fenders

F2170

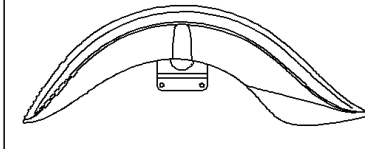


Ref. Front Fork



92151

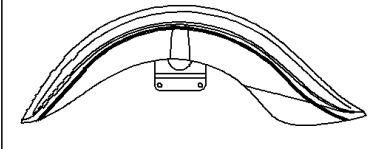
(35040/A)



WOD

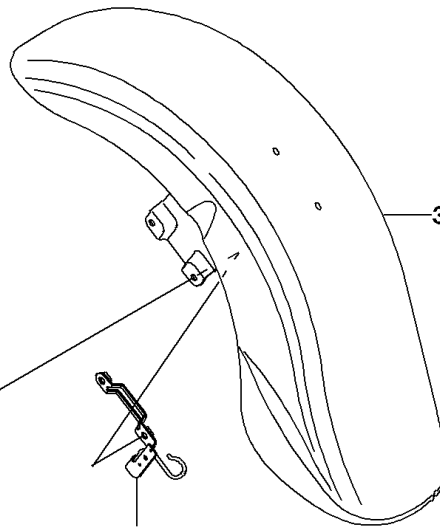
(35040)	Ebony
(35040A)	Black

(35040B~F)



WD

(35040B)	Green/Silver
(35040C)	Ebony/Titanium
(35040D)	Red/Titanium
(35040E)	Red/Black
(35040F)	Blue/Silver



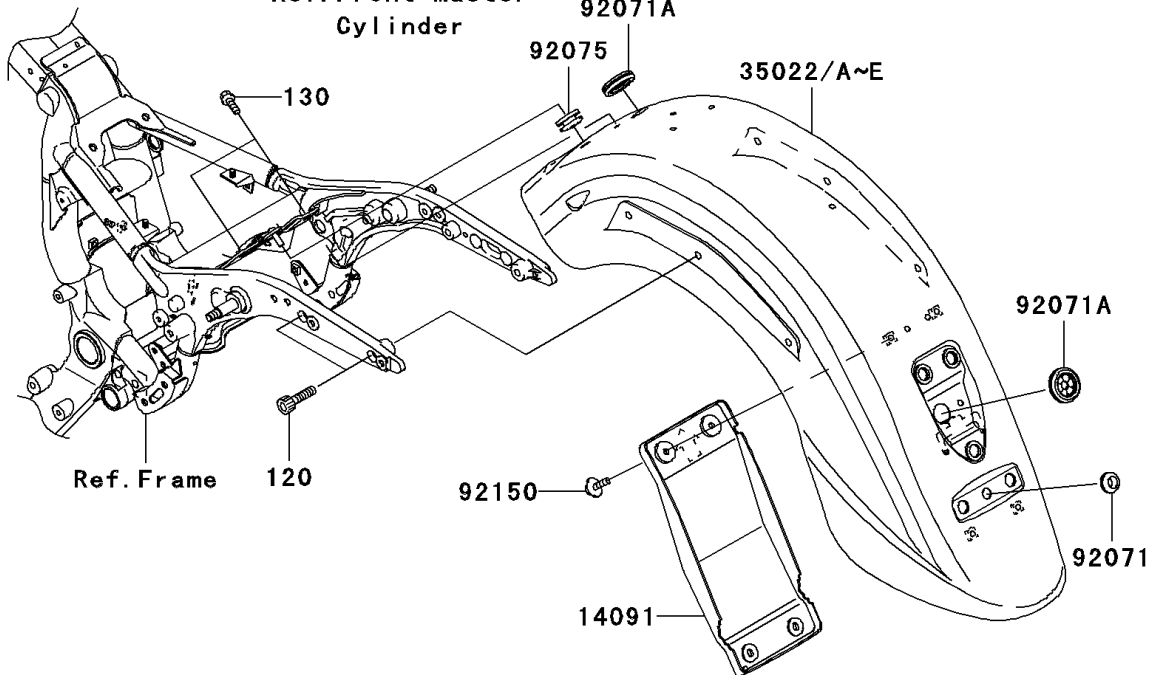
35040/A~F

Ref. Front Master Cylinder

92071A

92075

35022/A~E



Ref. Frame

120

92150

14091

92071A

92071

2006 Vulcan® 1600 Nomad™ PARTS LIST

Fenders

ITEM NAME	PART NUMBER	QUANTITY
BOLT-SOCKET,8X30 (Ref # 120)	120S0830	1
BOLT-FLANGED,8X16 (Ref # 130)	130J0816	1
COVER,TAIL LAMP (Ref # 14091)	14091-0370	1
FENDER-COMP-REAR,M.D.GREEN (Ref # 35022D)	35022-0024-727	1
FENDER-COMP-FRONT,GREEN/SILVER (Ref # 35040B)	35040-5005-817	1
GROMMET,10MM (Ref # 92071)	92071-019	1
GROMMET (Ref # 92071A)	92071-1265	1
DAMPER (Ref # 92075)	92075-1067	1
BOLT,FLANGED,6X14 (Ref # 92150)	92150-1689	1
BOLT,SOCKET,8X35 (Ref # 92151)	92151-1535	1