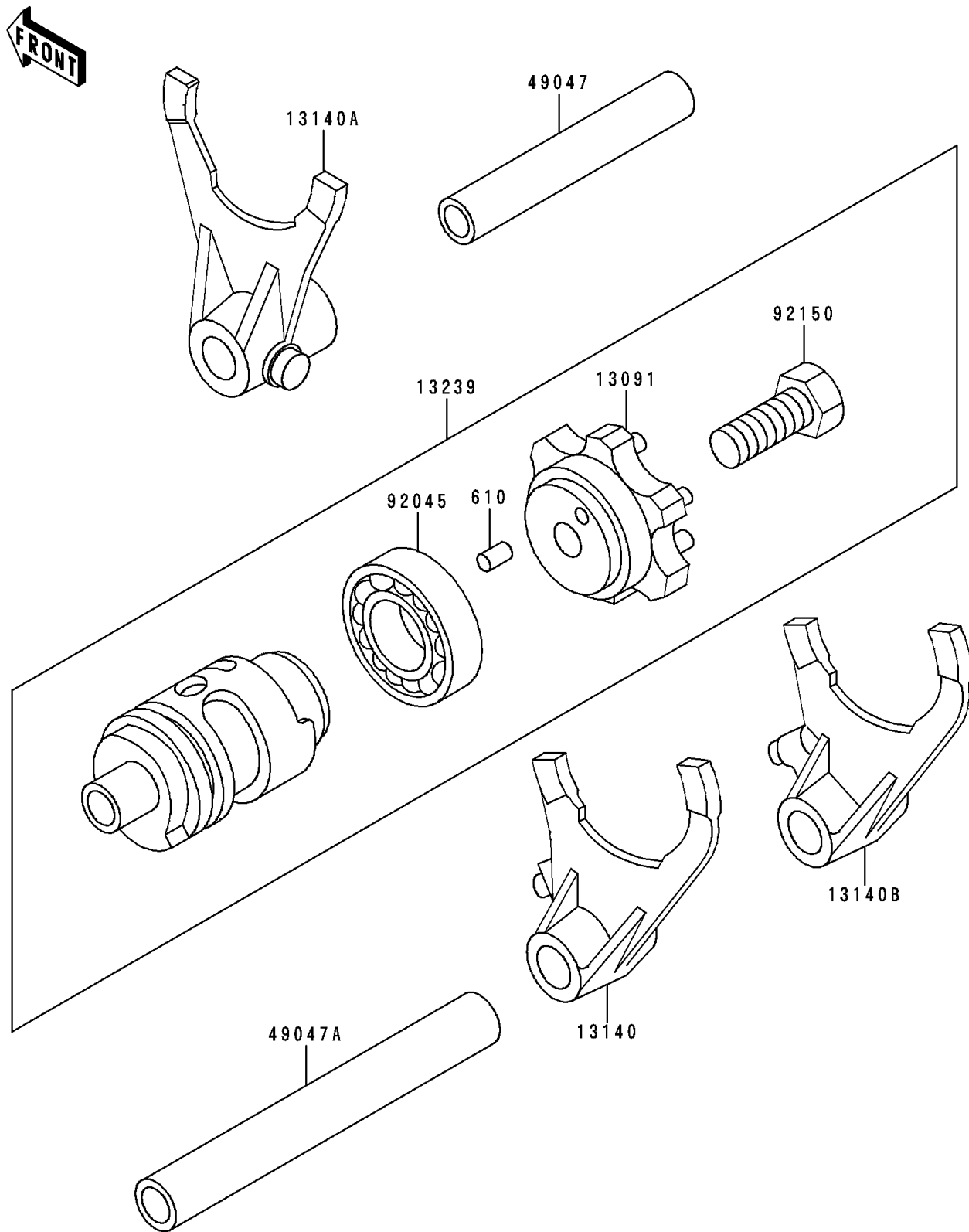


1992 KX™500 PARTS DIAGRAM

Gear Change Drum/Shift Fork(s)

E 13 62



1992 KX™500 PARTS LIST

Gear Change Drum/Shift Fork(s)

ITEM NAME	PART NUMBER	QUANTITY
ROLLER,4X8 (Ref # 610)	610A0408	1
HOLDER,CHANGE DRUM (Ref # 13091)	13091-1555	1
FORK-SHIFT,2ND&3RD (Ref # 13140)	13140-1058	1
FORK-SHIFT,4TH&TOP (Ref # 13140A)	13140-1059	1
FORK-SHIFT,LOW (Ref # 13140B)	13140-1142	1
DRUM-ASSY-CHANGE (Ref # 13239)	13239-1143	1
ROD-SHIFT,5.9X10X64.5 (Ref # 49047)	49047-1063	1
ROD-SHIFT,5.9X10X81 (Ref # 49047A)	49047-1064	1
BEARING-BALL,#6905 (Ref # 92045)	92045-036	1
BOLT,8X18 (Ref # 92150)	92150-1490	1