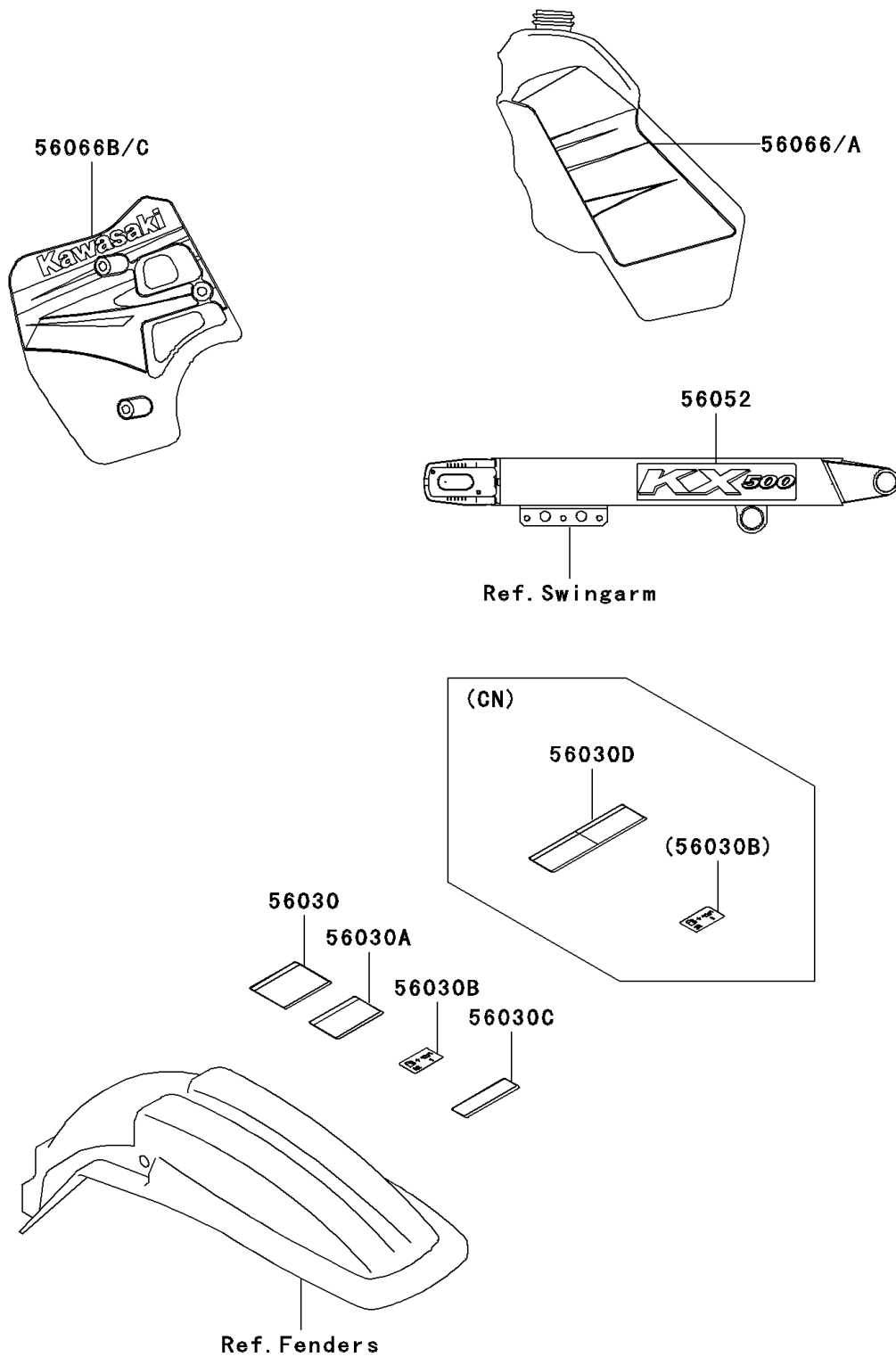


2003 KX™500 PARTS DIAGRAM

Labels(KX500-E15)

F2860



2003 KX™500 PARTS LIST

Labels(KX500-E15)

ITEM NAME	PART NUMBER	QUANTITY
LABEL,32:1 (Ref # 56030B)	56030-1230	1
MARK,SWING ARM,KX500 (Ref # 56052)	56052-1764	1
PATTERN,FUEL TANK,LH (Ref # 56066)	56066-1133	1
PATTERN,FUEL TANK,RH (Ref # 56066A)	56066-1134	1
PATTERN,SHROUD,LH (Ref # 56066B)	56066-1135	1
PATTERN,SHROUD,RH (Ref # 56066C)	56066-1136	1
LABEL,IMPORTANT NOTICE (Ref # 56030)	56030-1228	1
LABEL,DISCLAIMER (Ref # 56030A)	56030-1229	1
LABEL,NOISE EMISSION (Ref # 56030C)	56030-1231	1
LABEL,DISCLAIMER (Ref # 56030D)	56030-1233	1