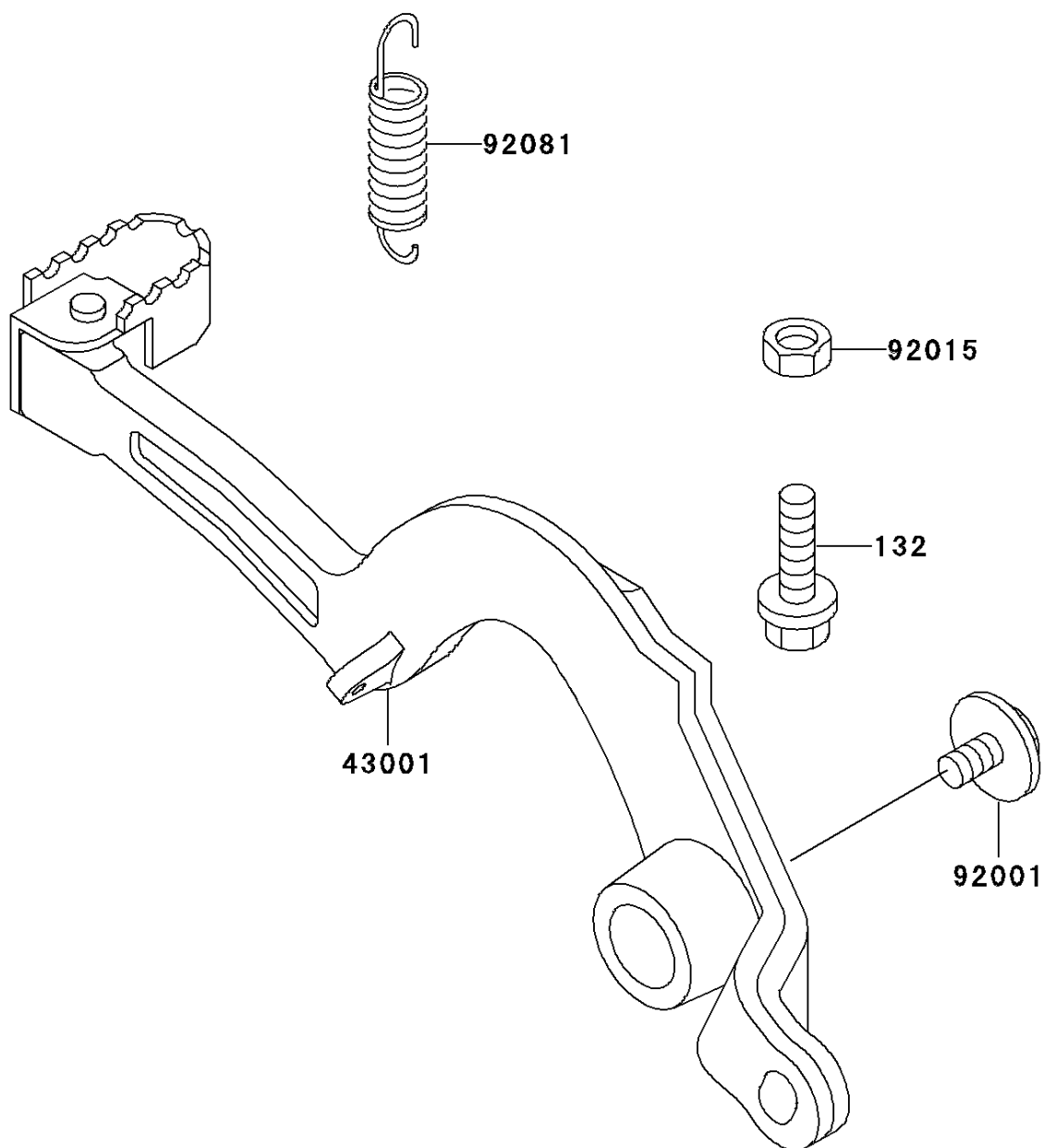


2003 KX™500 PARTS DIAGRAM

Brake Pedal

F2260



2003 KX™500 PARTS LIST

Brake Pedal

ITEM NAME	PART NUMBER	QUANTITY
BOLT-FLANGED-SMALL (Ref # 132)	132G0620	1
LEVER-BRAKE,PEDAL (Ref # 43001)	43001-1239	1
BOLT,FLANGED,6X10 (Ref # 92001)	92001-1034	1
NUT,6MM (Ref # 92015)	92015-1391	1
SPRING,BRAKE PEDAL RETURN (Ref # 92081)	92081-1932	1