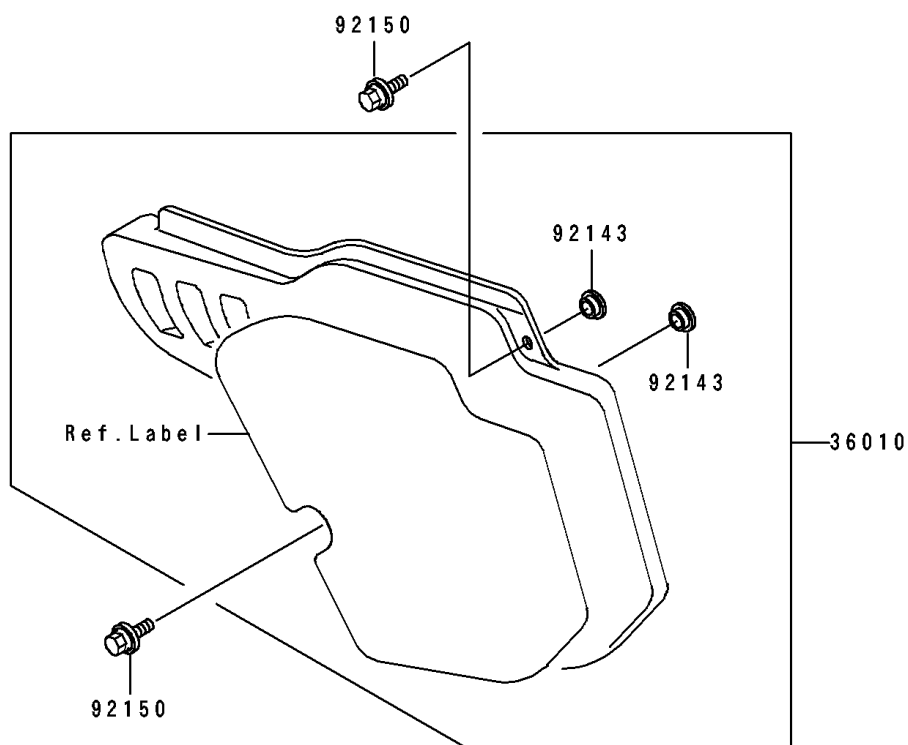
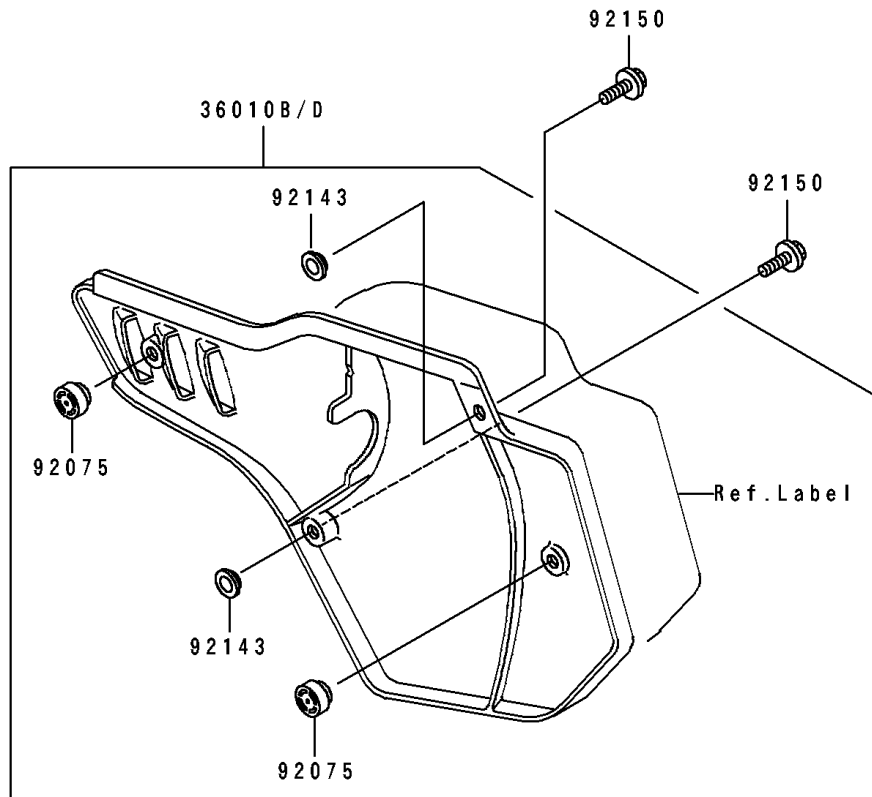


1989 KX™500 PARTS DIAGRAM

Side Cover

F2611



1989 KX™500 PARTS LIST

Side Cover

ITEM NAME	PART NUMBER	QUANTITY
COVER-SIDE,LH,L.GREEN (Ref # 36010)	36010-5023-6W	1
COVER-SIDE,RH,L.GREEN (Ref # 36010B)	36010-5135-6W	1
DAMPER (Ref # 92075)	92075-1598	1
COLLAR (Ref # 92143)	92143-1196	1
BOLT,6X20 (Ref # 92150)	92150-1339	1