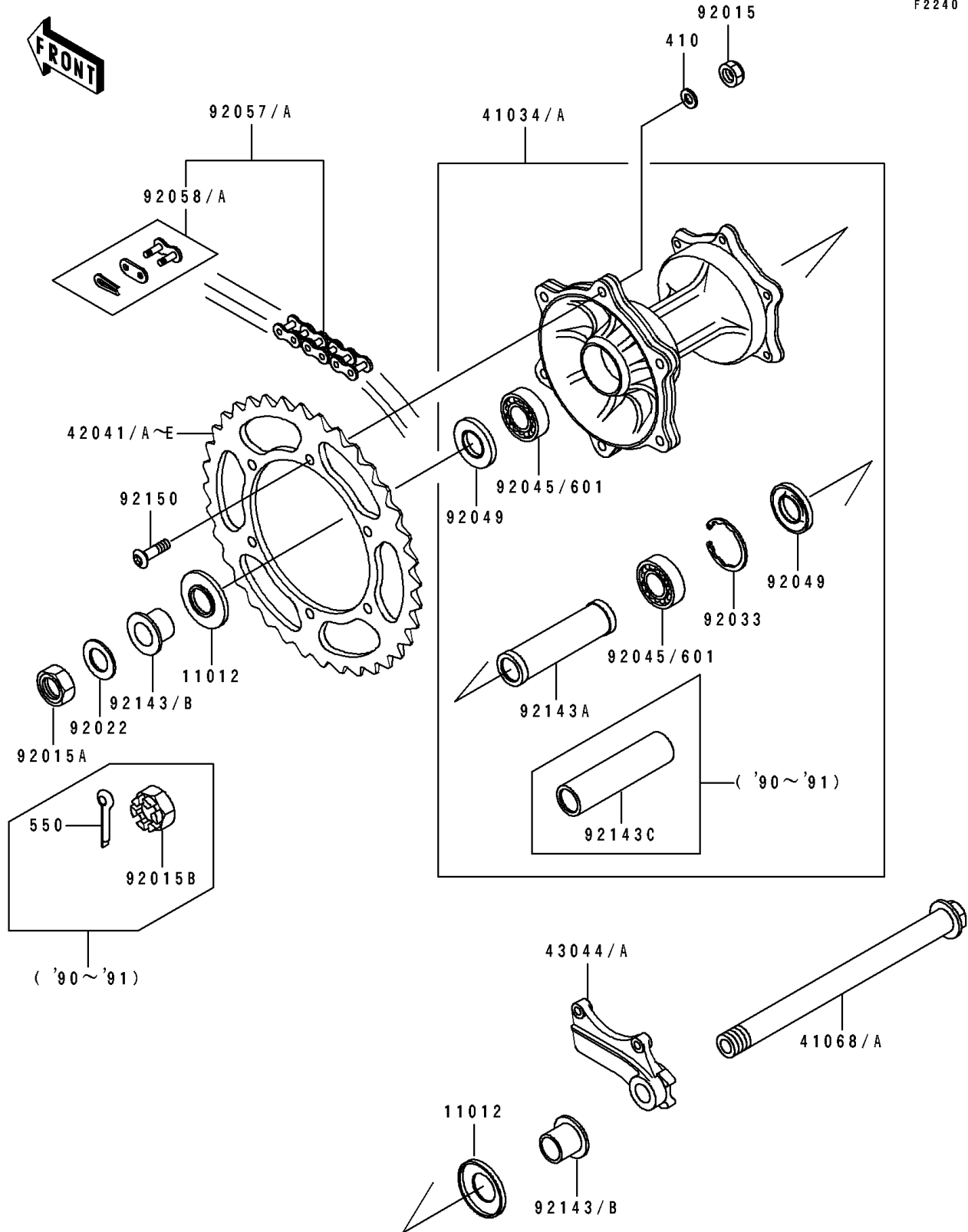


1989 KX™500 PARTS DIAGRAM

Rear Hub

F2240



1989 KX™500 PARTS LIST

Rear Hub

ITEM NAME	PART NUMBER	QUANTITY
CAP,REAR AXLE (Ref # 11012)	11012-1581	1
DRUM-ASSY,REAR BRAKE (Ref # 41034)	41034-1184	1
AXLE,RR (Ref # 41068)	41068-1277	1
SPROCKET-HUB,45T,AL (Ref # 42041)	42041-1154	1
SPROCKET-HUB,49T,AL (Ref # 42041A)	42041-1256	1
SPROCKET-HUB,48T,AL (Ref # 42041B)	42041-1257	1
SPROCKET-HUB,47T,AL (Ref # 42041C)	42041-1258	1
SPROCKET-HUB,46T,AL (Ref # 42041D)	42041-1259	1
SPROCKET-HUB,47T (Ref # 42041E)	42041-1274	1
HOLDER-COMP-CALIPER (Ref # 43044)	43044-1082	1
NUT,LOCK,8MM (Ref # 92015)	92015-1124	1
NUT,LOCK,20MM (Ref # 92015A)	92015-1770	1
WASHER,20.1X34X2.0 (Ref # 92022)	92022-1994	1
RING-SNAP,42MM (Ref # 92033)	92033-1041	1
SEAL-OIL,BJNC2 25425 (Ref # 92049)	92049-1203	1
CHAIN,DRIVE,DID520DS5X114L (Ref # 92057)	92057-1202	1
JOINT-CHAIN,DRIVE (Ref # 92058)	92058-1013	1
COLLAR,RR AXLE,L=22 (Ref # 92143)	92143-1259	1
COLLAR,RR BRAKE DRUM,L=105 (Ref # 92143A)	92143-1260	1
BOLT,SOCKET,8X28 (Ref # 92150)	92150-1196	1
WASHER-PLAIN-SMALL,8MM (Ref # 410)	410B0800	1
BEARING-BALL,#6004UG (Ref # 601)	601B6004UG	1